

A151-VR Series

BARRIER FREE, VANDAL RESISTANT,
WALL MOUNTED DRINKING FOUNTAIN

STANDARD FEATURES

- Child or Adult ADA Compliant (When Properly Installed)
- 18 gage, 304 Stainless Steel Basin and Chrome Plated Brass Button
- Polished Stainless Steel, Anti-Rotation, Non-Squirt Bubbler
- 100-Mesh Inlet Strainer
- Vandal Resistant Screws
- Integral P-trap
- Mounting Plate with Hardware (A0000000-MP1)
- Auto-Stop allows Cartridge and Strainer Service Without Shutting Off Water Supply



Model A151400S-VR Shown

“RATED FOR INDOOR AND OUTDOOR USE”

SUGGESTED SPECIFICATIONS

Model A151400S-VR is a Vandal Resistant Wall Mounted Drinking Fountain made from 18 gage, 304 stainless steel with a brushed finish. Unit shall be activated by Chrome Plated Brass Pushbutton using less than 5 pounds of force. Bubbler shall be polished stainless steel with a non-squirt feature and operate on a water pressure range of 20-105 PSIG. Unit shall have a uniquely designed, two-piece contoured Bowl with P-trap integral to the unit. Unit is certified to ANSI A117.1, Public Law 111-380 (NO-LEAD), CHSC 116875 and NSF/ANSI/CAN 61-2020, Section 9. Fixture meets ADA, ADA Standing Person, and ADA Child requirements when mounted appropriately. Optional WF3000 PFAS Water Filter shall have 3000 gallon capacity with 3rd Party Certification for Lead, Bacteria, Chlorine, Microplastics, and NSF/ANSI for Cyst and total PFAS reduction.

*** NOTE: For Optional -WF1 And -WF3000:**
Installer Responsible for Remotely Locating Water Filter.
1 - Refer to Supplemental Submittal Sheets for Details

Compatible Mounting Support Carrier
Jay R. Smith Mfg. Co. Figure # 0824 <https://www.JRSmith.com>

MODEL:

(Must Specify)

FLEXIBLE BUBBLER (0.3 GPM)

- A151200F-VR Bronze finish
- A151300F-VR Gold finish (High Polish)
- A151400F-VR Satin stainless finish

LEAD-FREE STAINLESS STEEL BUBBLER

- A151200S-VR Bronze finish
- A151300S-VR Gold finish (High Polish)
- A151400S-VR Satin stainless finish (Shown)

OPTIONS

(additional costs may be incurred)

- HP High polished stainless steel

ASSECCORIES

(additional costs may be incurred)

- BP2 Back panel for single contoured fountain¹
- WF3000 3000 gallon capacity Water Filter (See Note *)¹
NSF/ANSI, PFAS, Lead, Bacteria, Chlorine, Microplastics
- A9100080-A 8 GPH Remote Water Chiller
(Recommended to be with 10 Feet of Fixture)

Complies with the following standards:



Federal Public Law 111-380 (No Lead)

NSF/ANSI/CAN 61-2020

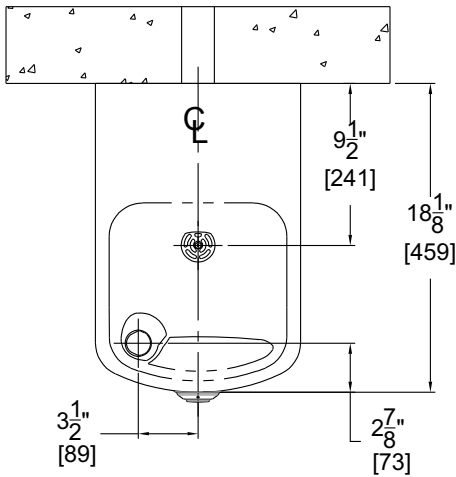
[3000 Gallon PFAS Filter Certifications](#)

[Product Warranty](#)

⚠ WARNING: Cancer and Reproductive Harm - www.P65Warnings.ca.gov

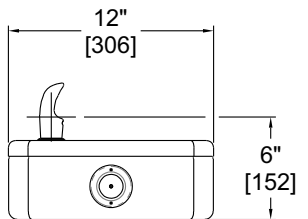
A151-VR Series

BARRIER FREE, VANDAL RESISTANT,
WALL MOUNTED DRINKING FOUNTAIN

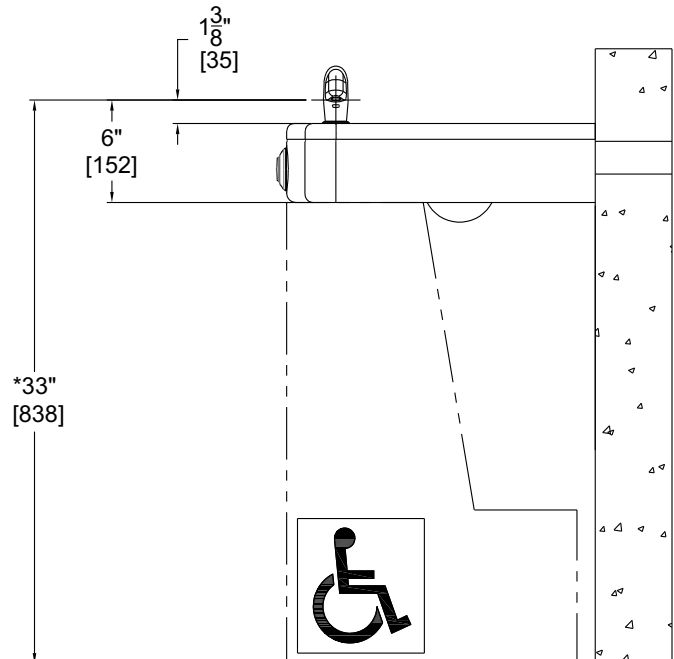


GENERAL NOTES:

1. ALL DIMENSIONS ARE IN INCHES [MM].
- *2. DIMENSIONS SHOWN ARE FOR RECOMMENDED HEIGHT. ADJUST VERTICAL DIMENSIONS AS NECESSARY TO COMPLY WITH FEDERAL, STATE, & LOCAL CODES.
3. STOP VALVE NOT PROVIDED.



1-1/4" [32]
P-TRAP
PROVIDED



SELECTION SUMMARY
& APPROVAL FOR
MANUFACTURING

Model Number & Options _____ Quantity _____

Company _____

Contact _____ Title _____

Signature (Approval for Manufacturing) _____ Date _____

All dimensions are subject to manufactures tolerance of plus or minus 1/4" nominal and subject to change without notice. Murdock[®] assumes no responsibility for use of void or superseded data. Dimensions may change with the addition of optional accessories. Murdock[®] Mfg., Member of Morris Group International[®]. Please visit www.murdockmfg.com for most current specifications.