

A132-SO Series

MODEL A132400S-SO

BARRIER FREE, BI-LEVEL, SENSOR OPERATED WALL MOUNTED DRINKING FOUNTAIN WITH 32" TRIM PANEL

STANDARD FEATURES

- Child or Adult ADA Compliant (When Properly Installed)
- 18 Gauge, 304 Stainless Steel
- Polished Stainless Steel, Anti-Rotation, Non-Squirt Bubbler
- 100 Mesh Inlet Strainer
- Vandal Resistant Screws
- P-Traps
- Mounting Plate With Hardware (A0000000-MP2-W32)
- 32 Inch Trim Panel
- 115v Plug-In Transformer

SUGGESTED SPECIFICATIONS

Model A132400S-SO is a wall mounted, bi-level drinking fountain made from 18 gauge, 304 stainless steel with a brushed finish and customer has to supply power for a 115 volt transformer. Both units shall be activated by a front mounted infrared sensor. Bubblers shall be polished stainless steel with non-squirt features and operate on a water pressure range of 20-105 PSIG. Unit shall have a uniquely designed, two-piece contoured bowls with P-traps integral to the unit. Unit shall be certified to Public Law 111-380 (NO-LEAD) and NSF/ANSI/CAN 61. Fixture meets ADA, ADA Standing Person, and ADA Child requirements when mounted appropriately. Optional WF3000 PFAS Water Filter shall have 3000 gallon capacity with 3rd Party Certification for Lead, Bacteria, Chlorine, Microplastics, and NSF/ANSI for Cyst and total PFAS reduction.

*** NOTE: For Optional -WF1 And -WF3000:**
Installer Responsible for Remotely Locating Water Filter.
1 - Refer to Supplemental Submittal Sheets for Details

Compatible Mounting Support Carrier
Jay R. Smith Mfg. Co. Figure # 0824 <https://www.JRSmith.com>

Complies with the following standards:



Federal Public Law 111-380 (No Lead)

NSF/ANSI/CAN 61-2020



Model A132400S-SO Shown
** U.S. DESIGN PATENT D545,607 (Bowl Design)

"INDOOR USE ONLY"

MODEL:

(Must Specify)

FLEXIBLE BUBBLER (LOW FLOW)

- A132200F-SO Bronze Finish
- A132300F-SO Gold Finish (High Polish)
- A132400F-SO Satin stainless Finish

LEAD-FREE STAINLESS STEEL BUBBLER

- A132200S-SO Bronze Finish
- A132300S-SO Gold Finish (High Polish)
- A132400S-SO Satin stainless Finish (Shown)

OPTIONS

(additional costs may be incurred)

- HP High polished stainless steel
- RBL Reverse Bi-Level

ACCESSORIES

(additional costs may be incurred)

- SK4-18 Skirt kit, stainless steel, for upper unit¹
- WF3000 3000 gallon capacity Water Filter (**See Note ***)¹
NSF/ANSI, PFAS, Lead, Bacteria, Chlorine, Microplastics
- A9100080-A 8 GPH Remote Water Chiller
(Recommended to be with 10 Feet of Fixture)

3000 Gallon PFAS Filter Certifications

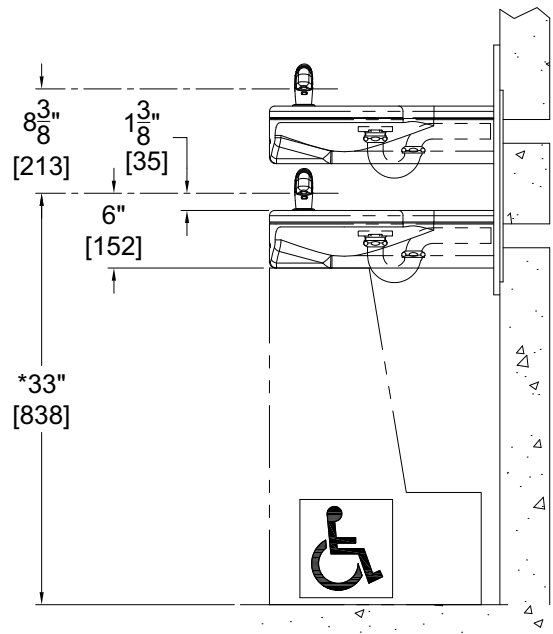
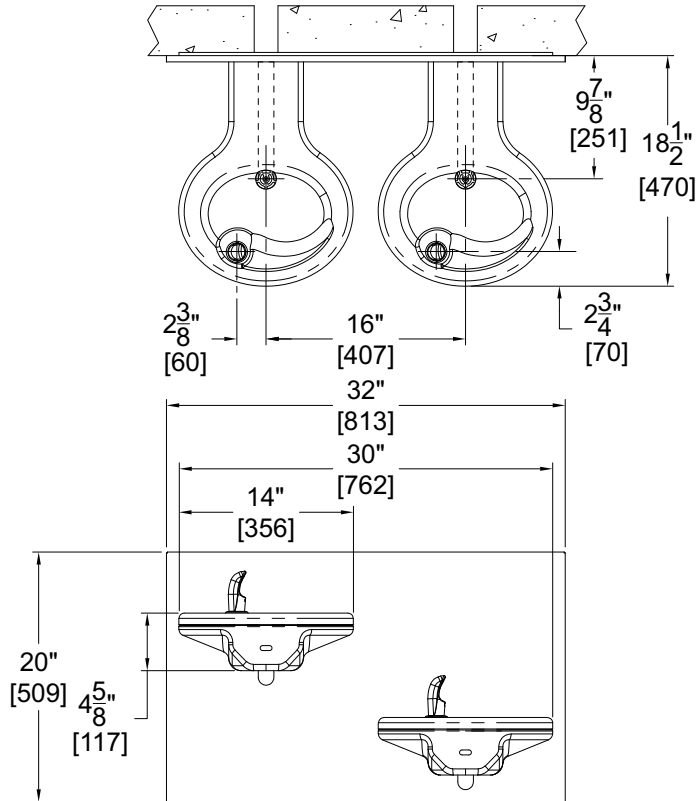
Product Warranty

⚠ WARNING: Cancer and Reproductive Harm - www.P65Warnings.ca.gov

A132-SO Series

MODEL A132400S-SO

**BARRIER FREE, BI-LEVEL,
SENSOR OPERATED WALL MOUNTED
DRINKING FOUNTAIN WITH 32" TRIM PANEL**



GENERAL NOTES:

1. ALL DIMENSIONS ARE IN INCHES [MM].
- *2. DIMENSIONS SHOWN ARE FOR RECOMMENDED ADULT HEIGHT. ADJUST VERTICAL DIMENSIONS AS NECESSARY TO COMPLY WITH FEDERAL, STATE, & LOCAL CODES.

SELECTION SUMMARY & APPROVAL FOR MANUFACTURING	Model Number & Options _____	Quantity _____	<p><i>All dimensions are subject to manufactures tolerance of plus or minus 1/4" nominal and subject to change without notice. Murdock® assumes no responsibility for use of void or superseded data. Dimensions may change with the addition of optional accessories. Murdock® Mfg., Member of Morris Group International®. Please visit www.murdockmfg.com for most current specifications.</i></p>
	Company _____		
	Contact _____	Title _____	
	Signature (Approval for Manufacturing) _____	Date _____	