

A131-VR Series

MODEL A131400S-VR-BF4

BARRIER FREE, VANDAL RESISTANT,
WALL MOUNTED DRINKING FOUNTAIN
WITH SEMI-RECESSED SENSOR OPERATED
BOTTLE FILLER

STANDARD FEATURES

- Child or Adult ADA Compliant (When Properly Installed)
- 18 gage, 304 Stainless Steel Basin and Chrome Plated Brass Button
- Polished Stainless Steel, Vandal Resistant, Anti-Rotation Non-Squirt Bubbler
- 100-Mesh Inlet Strainer
- Mounting Frame (A0000000-MF13)
- Trim Panel
- 1 GPM Fill Rate (Bottle Filler)
- Laminar Flow Water Supply (Bottle Filler)
- 115v Plug-In Transformer (Bottle Filler)
- Auto-Stop Allows Cartridge and Strainer Service Without Shutting Off Water Supply

SUGGESTED SPECIFICATIONS

Model A131400S-VR-BF4 is a Vandal Resistant, Wall Mounted Drinking Fountain and Bottle Filler combination made from 18 gauge, 304 stainless steel with a brushed finish. Unit shall be activated by Chrome Plated Brass Pushbutton using less than 5 pounds of force. Bottle filler activates using an infrared sensor. Bubbler shall be polished stainless steel with non-squirt feature and operates on a water pressure range of 20-105 PSIG. Unit shall have uniquely designed, two-piece contoured bowl with a P-trap integral to the unit. Unit shall be certified to Public Law 111-380 (NO-LEAD) and NSF/ANSI/CAN 61. Fixture meets ADA, ADA Standing Person, and ADA Child requirements when mounted appropriately. Optional WF3000 PFAS Water Filter shall have 3000 gallon capacity with 3rd Party Certification for Lead, Bacteria, Chlorine, Microplastics, and NSF/ANSI for Cyst and total PFAS reduction.



Model A131400S-VR-BF4 Shown
** U.S. DESIGN PATENT D545,607

“INDOOR USE ONLY”

MODEL:

(Must Specify)

FLEXIBLE BUBBLER (LOW FLOW)

- A131200F-VR-BF4 Bronze Finish
- A131300F-VR-BF4 Gold Finish (High Polish)
- A131400F-VR-BF4 Satin stainless Finish

LEAD-FREE STAINLESS STEEL BUBBLER

- A131200S-VR-BF4 Bronze Finish
- A131300S-VR-BF4 Gold Finish (High Polish)
- A131400S-VR-BF4 Satin stainless Finish (Shown)

OPTIONS

(additional costs may be incurred)

- BCD Bottle Counter Display (Bottle Filler)
- HP High polished stainless steel

ACCESSORIES

(additional costs may be incurred)

- WF3000 3000 gallon PFAS Water Filter¹
NSF/ANSI, PFAS, Lead, Bacteria, Chlorine, Microplastics
- A9100080-A 8 GPH Remote Water Chiller¹
(Recommended to be with 10 Feet of Fixture)

NOTES:

1- Refer to Supplemental Submittal Sheet for Complete Product details.

Complies with the following standards:



Federal Public Law 111-380 (No Lead)

NSF/ANSI/CAN 61-2020

[3000 Gallon PFAS Filter Certifications](#)

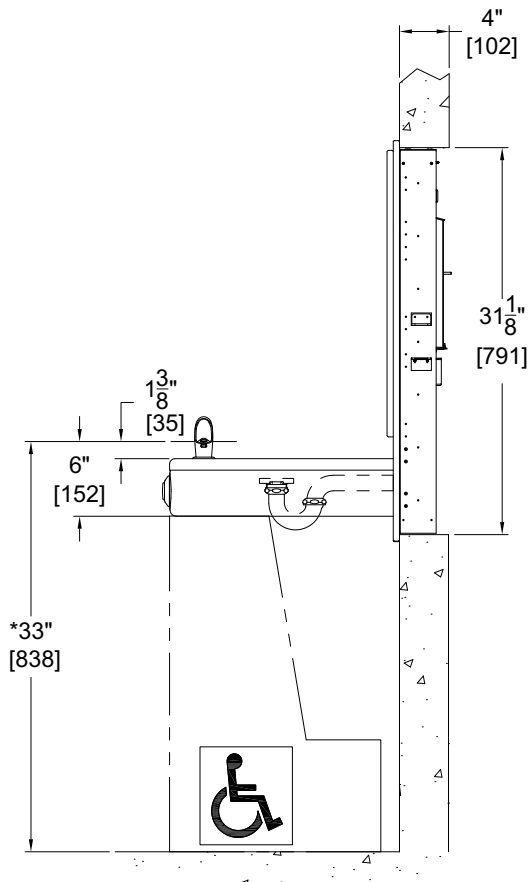
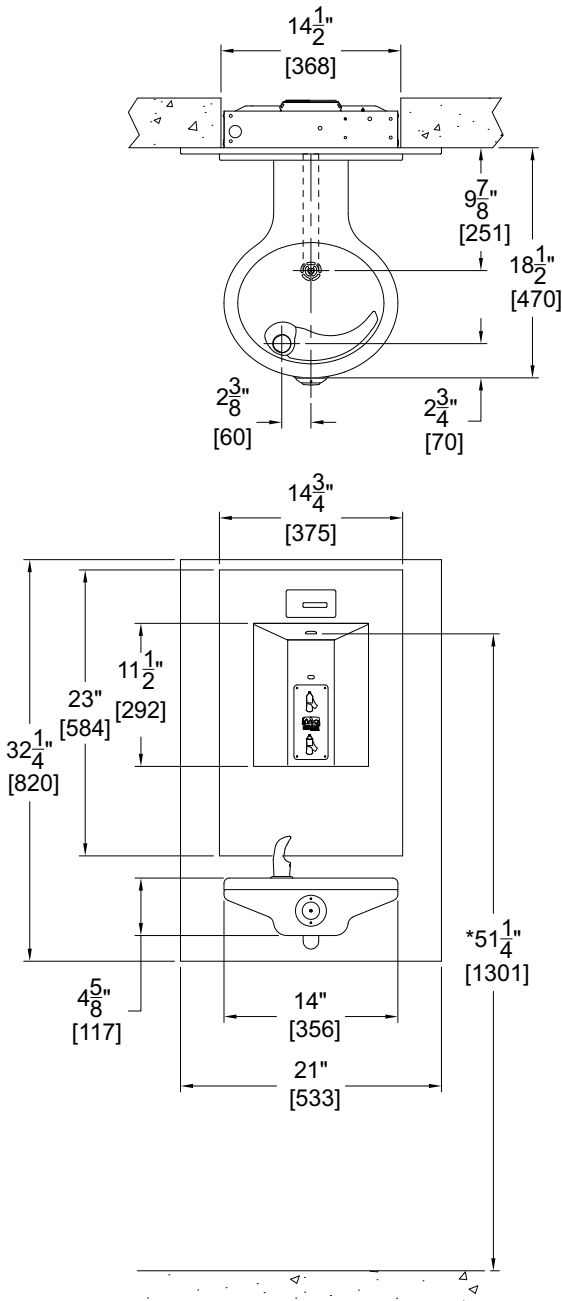
[Product Warranty](#)

⚠ WARNING: Cancer and Reproductive Harm - www.P65Warnings.ca.gov

A131-VR Series
MODEL A131400S-VR-BF4
BARRIER FREE, VANDAL RESISTANT,
WALL MOUNTED DRINKING FOUNTAIN
WITH SEMI-RECESSED SENSOR OPERATED
BOTTLE FILLER

GENERAL NOTES:

1. ALL DIMENSIONS ARE IN INCHES [MM].
- *2. DIMENSIONS SHOWN ARE FOR RECOMMENDED ADULT HEIGHT. ADJUST VERTICAL DIMENSIONS AS NECESSARY TO COMPLY WITH FEDERAL, STATE, & LOCAL CODES.



SELECTION SUMMARY
& APPROVAL FOR
MANUFACTURING

Model Number & Options _____	Quantity _____
Company _____	
Contact _____	Title _____
Signature (Approval for Manufacturing) _____	Date _____

All dimensions are subject to manufactures tolerance of plus or minus 1/4" nominal and subject to change without notice. Murdock[®] assumes no responsibility for use of void or superseded data. Dimensions may change with the addition of optional accessories. Murdock[®] Mfg., Member of Morris Group International[®]. Please visit www.murdockmfg.com for most current specifications.