

BF48 Series

MODEL A000000-BF48

SEMI-RECESSED SENSOR OPERATED
BOTTLE FILLER

STANDARD FEATURES

- 100-Mesh Inlet Strainer
- 1 GPM Laminar Flow Water Spout
- Lead Free
- Hinged Door
- Key Latch
- Meets ADA Forward and Side Reach Requirements
- Ligature-Resistant Design
- Vandal-Resistant Design

SUGGESTED SPECIFICATIONS

Model A000000-BF4 is a Semi-Recessed sensor operated bottle filler. Bottle Filler can be mounted in a 4" or larger wall space for simple installation virtually anywhere. Housing has a slim and trim look that blends into your environment. Unit also has a strong, ligature resistant, and vandal-resistant design for years of trouble-free service. When installed properly, the bottle filler complies with ADA forward and side reach requirements. Bottle filler is fabricated of type 304 stainless steel polished to a satin finish. Bottle filler is fabricated of type 304 stainless steel polished to a satin finish. Unit shall be listed by Underwriters Laboratories for both the US and Canada and is to be compliant to ANSI/ASHRAE 18. Unit shall be certified to Public Law 111-380 (NO-LEAD) and NSF/ANSI/CAN 61. Optional WF3000 PFAS Water Filter shall have 3000 gallon capacity with 3rd Party Certification for Lead, Bacteria, Chlorine, Microplastics, and NSF/ANSI for Cyst and total PFAS reduction.

Model Number	GPH*	Rated Watts	Full Load Amps	Approx. Shipping Weight
BF48	8.0	390	4.6	110 lbs.

* GPH of 50°F water at 90°F ambient room temperature and 80°F inlet water temperature
Compressor motor operates on 115-Volt / 60-Hz single phase.

Complies with the following standards:



Federal Public Law 111-380 (No Lead)



NSF/ANSI/CAN 61-2020

ANSI/ASHRAE 18

⚠ WARNING: Cancer and Reproductive Harm - www.P65Warnings.ca.gov



Model BF48 Shown

"RATED FOR INDOOR USE ONLY"

MODEL:

(Must Specify)

- BF48 18 Gage 304 Stainless Steel

OPTIONS

(additional costs may be incurred)

- BCD Bottle Counter Display
- CG1 Custom Graphics
- EG Enviro-Glaze
Specify Color: _____
- 220V 220 volt / 50 Hz or 60Hz Compressor (€€)

ACCESSORIES

(additional costs may be incurred)

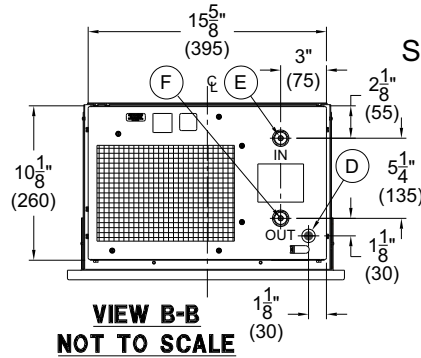
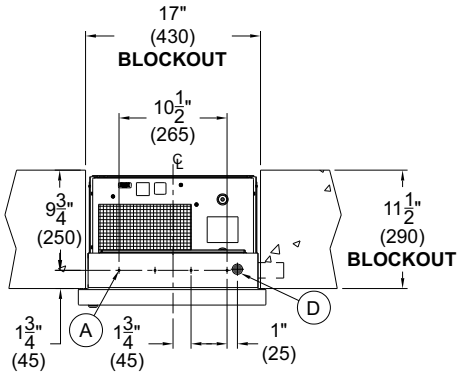
- WF3000 3000-gallon PFAS Water Filter¹
NSF/ANSI, PFAS, Lead, Bacteria, Chlorine, Microplastics

NOTES:

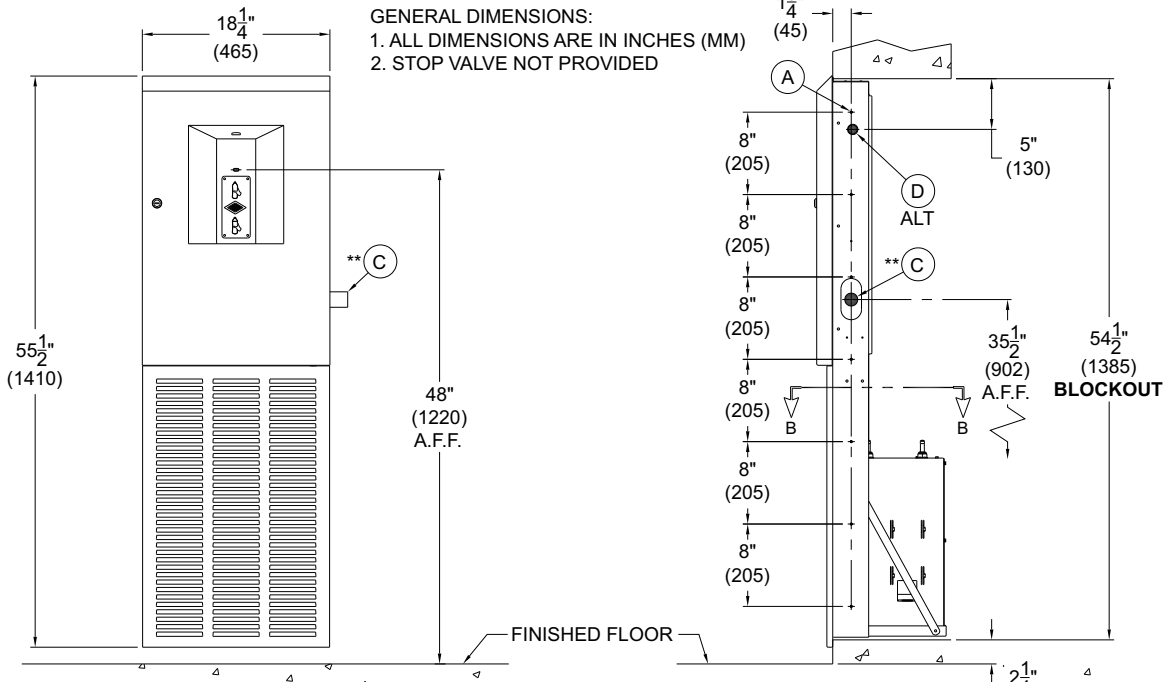
1- Refer to Supplemental Submittal Sheet for Complete Product details.

BF48 Series
MODEL A000000-BF48

SEMI-RECESSED
SENSOR OPERATED
BOTTLE FILLER



VIEW B-B
NOT TO SCALE



GENERAL DIMENSIONS:
1. ALL DIMENSIONS ARE IN INCHES (MM)
2. STOP VALVE NOT PROVIDED

- (A) 1/4" PUNCHING, 22 PLACES FOR ANCHORING HARDWARE BY OTHERS
- (B) 3/8" OD COPPER SUPPLY INLET
- (C) 1-1/4" O.D. WASTE OUTLET
- (D) ELECTRICAL SERVICE ROUGH

- (E) 3/8" OD COPPER SUPPLY INLET (CHILLER)
- (F) 3/8" OD COPPER SUPPLY OUTLET (CHILLER)
- (G) -MF10 MOUNTING FRAME ASSEMBLY

NOTE: RIGHT, LEFT, AND REAR WASTE ORIENTATION ARE OPTIONAL IF NEEDED FOR CALLOUTS INDICATED **.

SELECTION SUMMARY
& APPROVAL FOR
MANUFACTURING

Model Number & Options _____ Quantity _____

Company _____

Contact _____ Title _____

Signature _____ Date _____
(Approval for Manufacturing)

All dimensions are subject to manufactures tolerance of plus or minus 1/4" nominal and subject to change without notice. Murdock[®] assumes no responsibility for use of void or superseded data. Dimensions may change with the addition of optional accessories. Murdock[®] Mfg., Member of Morris Group International[®]. Please visit www.murdockmfg.com for most current specifications.