

## BF38 Series

### MODEL A000000-BF38

SEMI-RECESSED PUSHBUTTON OPERATED BOTTLE FILLER

#### STANDARD FEATURES

- 100-Mesh Inlet Strainer
- 1 GPM Laminar Flow Water Spout
- Mounting Frame (A0000000-MF10)
- Hinged Door
- Key Latch
- Meets ADA Forward and Side Reach Requirements
- Ligature-Resistant Design
- Vandal-Resistant Design

#### SUGGESTED SPECIFICATIONS

Model BF38 is Semi-Recessed pushbutton operated electric bottle filler that shall deliver a minimum of 8.0 GPH (30.3 LPH) of water at 50°F (10°C) cooled from 80°F (26.7°C) inlet water and 90°F (32.2°C). Bottle Filler can be mounted in a 4" or larger wall space for simple installation virtually anywhere. Housing has a slim and trim look that blends into your environment. Unit also has a strong, ligature resistant, and vandal-resistant design for years of trouble-free service. When installed properly, the bottle filler complies with ADA forward and side reach requirements. Unit includes an ADA compliant pushbutton requires less than 5 pounds push to activate valve. Bottle filler is fabricated of type 304 stainless steel polished to a satin finish. Unit shall be listed by Underwriters Laboratories for both the US and Canada and is to be compliant to ANSI/ASHRAE 18. Unit shall be certified to Public Law 111-380 (NO-LEAD) and NSF/ANSI/CAN 61. Optional WF3000 PFAS Water Filter shall have 3000 gallon capacity with 3rd Party Certification for Lead, Bacteria, Chlorine, Microplastics, and NSF/ANSI for Cyst and total PFAS reduction.

Water Chiller Specifications:		Rated	Full	Approx.
Model	GPH*	Watts	Load	Shipping
Number			Amps	Weight
A9100080	8.0	390	4.6	48 lbs.

\* GPH of 50°F water at 90°F ambient room temperature and 80°F inlet water temperature  
Compressor motor operates on 115 Volt / 60 Hz single phase.



Model BF38 Shown

**"RATED FOR INDOOR USE ONLY"**

#### OPTIONS

(additional costs may be incurred)

- BF38 18 Gauge 304 Stainless Steel

#### OPTIONS

(additional costs may be incurred)

- CG1 Custom Graphics
- EG Enviro-Glaze  
Specify Color: \_\_\_\_\_
- 220V 220 volt / 50 Hz or 60Hz Compressor (€€)

#### ACCESSORIES

(additional costs may be incurred)

- WF3000 3000-gallon PFAS Water Filter<sup>1</sup>  
NSF/ANSI, PFAS, Lead, Bacteria, Chlorine, Microplastics

#### NOTES:

1- Refer to Supplemental Submittal Sheet for Complete Product details.

Complies with the following standards:



Federal Public Law 111-380 (No Lead)



(220V Compressor Only)

NSF/ANSI/CAN 61-2020

ANSI/ASHRAE 18

[3000 Gallon PFAS Filter Certifications](#)

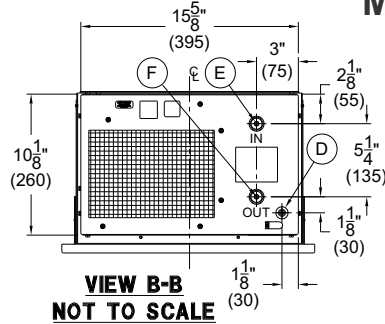
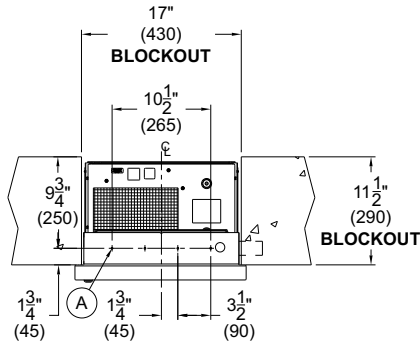
[Product Warranty](#)

**WARNING:** Cancer and Reproductive Harm - [www.P65Warnings.ca.gov](http://www.P65Warnings.ca.gov)

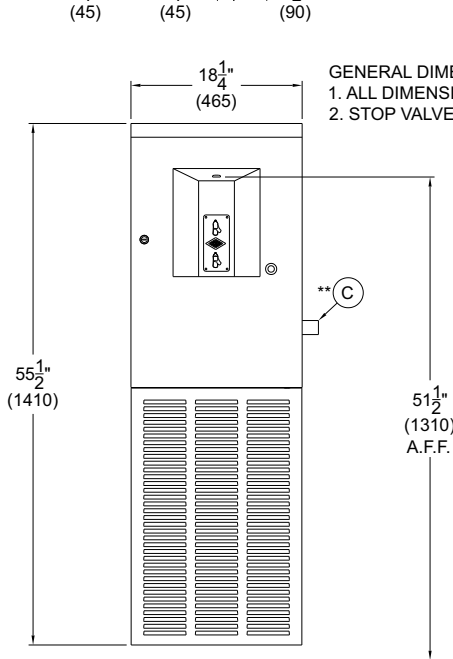
**MURDOCK® MFG.** • 15125 Proctor Avenue • City of Industry, CA 91746 USA  
Phone 800-453-7465 • [www.murdockmfg.com](http://www.murdockmfg.com)

Member of  
**MORRIS GROUP**  
INTERNATIONAL

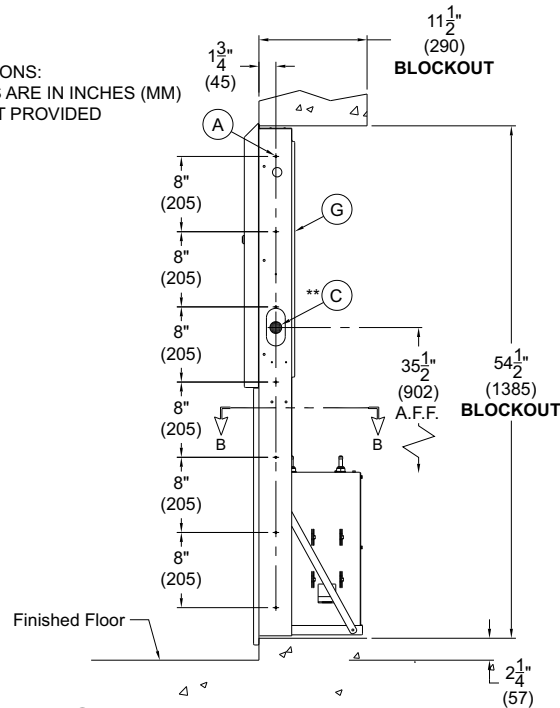
**BF38 Series**  
**MODEL A000000-BF38**  
SEMI-RECESSED  
PUSHBUTTON OPERATED  
BOTTLE FILLER



**VIEW B-B**  
**NOT TO SCALE**



**GENERAL DIMENSIONS:**  
1. ALL DIMENSIONS ARE IN INCHES (MM)  
2. STOP VALVE NOT PROVIDED



- (A) 1/4" PUNCHING, 22 PLACES FOR ANCHORING HARDWARE BY OTHERS
- (B) 3/8" OD COPPER SUPPLY INLET
- (C) 1-1/4" O.D. WASTE OUTLET
- (D) ELECTRICAL SERVICE ROUGH

- (E) 3/8" OD COPPER SUPPLY INLET (CHILLER)
- (F) 3/8" OD COPPER SUPPLY OUTLET (CHILLER)
- (G) -MF10 MOUNTING FRAME ASSEMBLY

**NOTE:** RIGHT, LEFT, AND REAR WASTE ORIENTATION ARE OPTIONAL IF NEEDED FOR CALLOUTS INDICATED \*\*.

**SELECTION SUMMARY & APPROVAL FOR MANUFACTURING**

Model Number & Options _____	Quantity _____
Company _____	
Contact _____	Title _____
Signature (Approval for Manufacturing) _____	Date _____

All dimensions are subject to manufactures tolerance of plus or minus 1/4" nominal and subject to change without notice. Murdock<sup>®</sup> assumes no responsibility for use of void or superseded data. Dimensions may change with the addition of optional accessories. Murdock<sup>®</sup> Mfg., Member of Morris Group International<sup>®</sup>. Please visit [www.murdockmfg.com](http://www.murdockmfg.com) for most current specifications.