

BF2S Series

MODEL: BF2S

HEAVY DUTY SENSOR OPERATED
BOTTLE FILLER

STANDARD FEATURES

- Heavy Duty Stainless Steel Construction
- Hands Free Sensor Operation
- Lead Free
- 115v Plug-in Transformer
- Laminar Flow Water Supply
- 1 GPM Fill Rate (Min. Set Pressure 40 PSI)
- 100 mesh inlet strainer

SUGGESTED SPECIFICATIONS

Model BF2S is a 9 volt Sensor Operated Heavy Duty Bottle Filler designed to be used with an Murdock A171 Series Barrier-Free Water Cooler. When installed properly, the Bottle Filler complies with ADA forward reach requirements. Cabinet shall be heavy gauge stainless steel with exposed surfaces polished to a #4 satin finish. Unit shall be certified to Public Law 111-380 (NO-LEAD) and NSF/ANSI/CAN 61.



Model BF2S-BCD Shown
**U.S. DESIGN PATENT D718,971 S

"INDOOR USE ONLY"

MODEL:

(Must Specify)

- BF2S Heavy Duty Sensor Operated Bottle Filler

OPTIONS

(additional costs may be incurred)

- BAT Battery Operated
(N/A With Bottle Counter)
- BCD Bottle Counter Display

Complies with the following standards:



Federal Public Law 111-380 (No Lead)



NSF/ANSI/CAN 61



Recyclable Product



Water Conserving Product

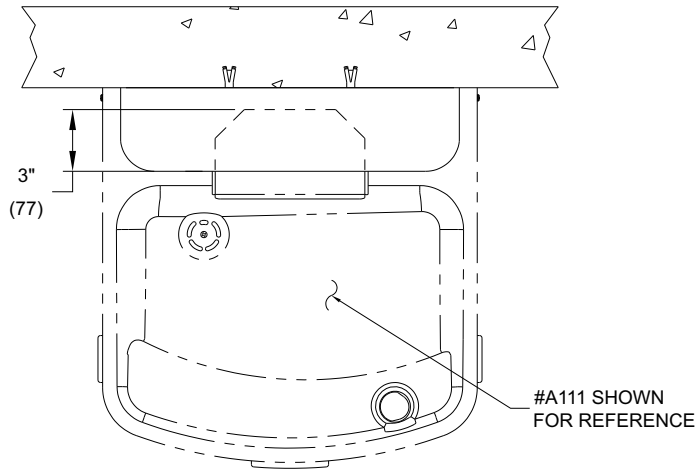
[Product Warranty](#)

WARNING: Cancer and Reproductive Harm - www.P65Warnings.ca.gov

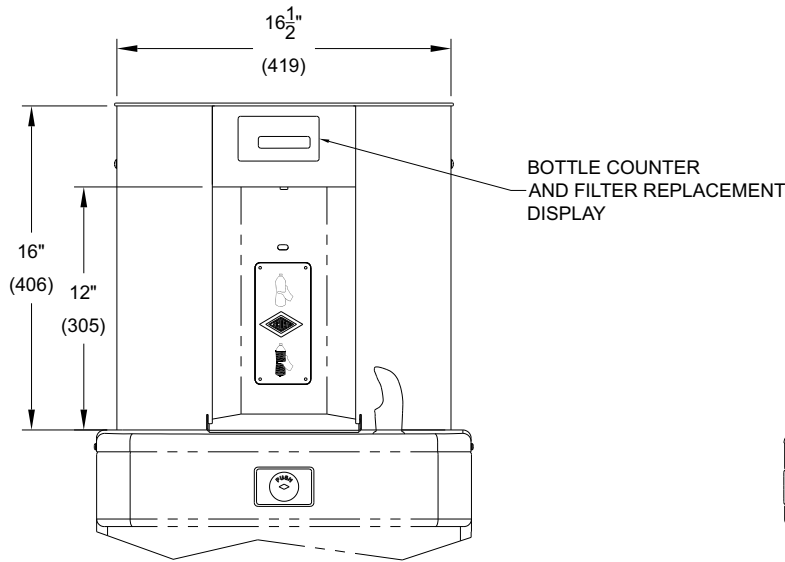
MURDOCK MFG. • 15125 Proctor Avenue • City of Industry, CA 91746 USA
Phone 800-453-7465 or 626-333-2543 • www.murdockmfg.com

Member of
MORRIS GROUP
INTERNATIONAL

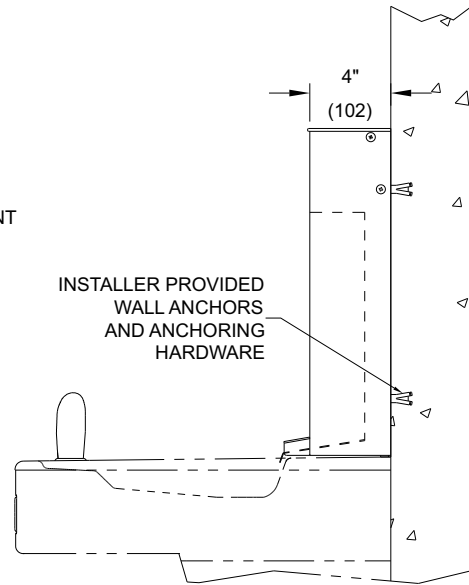
BF2 Series
MODEL A000000-BF2
HEAVY DUTY SENSOR OPERATED
BOTTLE FILLER



TOP VIEW



FRONT VIEW



SIDE VIEW

GENERAL NOTES:
1. ALL DIMENSIONS ARE IN INCHES (MM).

SELECTION SUMMARY & APPROVAL FOR MANUFACTURING	Model Number & Options _____	Quantity _____	All dimensions are subject to manufactures tolerance of plus or minus 1/4" nominal and subject to change without notice. Murdock® assumes no responsibility for use of void or superseded data. Dimensions may change with the addition of optional accessories. Murdock® Mfg., Member of Morris Group International®. Please visit www.murdockmfg.com for most current specifications.
	Company _____		
	Contact _____	Title _____	
	Signature (Approval for Manufacturing) _____	Date _____	