

BF1S Series

MODEL: BF1S

HEAVY DUTY PUSHBUTTON OPERATED
BOTTLE FILLER

STANDARD FEATURES

- Heavy Duty Stainless Steel Construction
- Lead Free
- Laminar Flow Water Supply
- 1 GPM Fill Rate (Min. Set Pressure 40 PSI)
- 100-Mesh Inlet Strainer

SUGGESTED SPECIFICATIONS

Model BF1S is a Pushbutton Operated Heavy Duty Bottle Filler designed to be used with a Murdock A171 Series Barrier-Free Water Cooler. When installed properly, the Bottle Filler complies with ADA forward reach requirements. Bottler Filler shall be activated using a pneumatically operated Hemispherical Pushbutton using less than 5 pounds of force. Cabinet shall be heavy gauge stainless steel with exposed surfaces polished to a #4 satin finish. Unit shall be certified to Public Law 111-380 (NO-LEAD) and NSF/ANSI/CAN 61.



Model BF1S Shown
**U.S. DESIGN PATENT D718,971 S

“RATED FOR INDOOR AND OUTDOOR USE”

MODEL:

(Must Specify)

- BF1S Heavy Duty Pushbutton Operated Bottle Filler

Complies with the following standards:



Federal Public Law 111-380 (No Lead)



NSF/ANSI/CAN 61



Recyclable Product



Water Conserving Product

[Product Warranty](#)

⚠ WARNING: Cancer and Reproductive Harm - www.P65Warnings.ca.gov

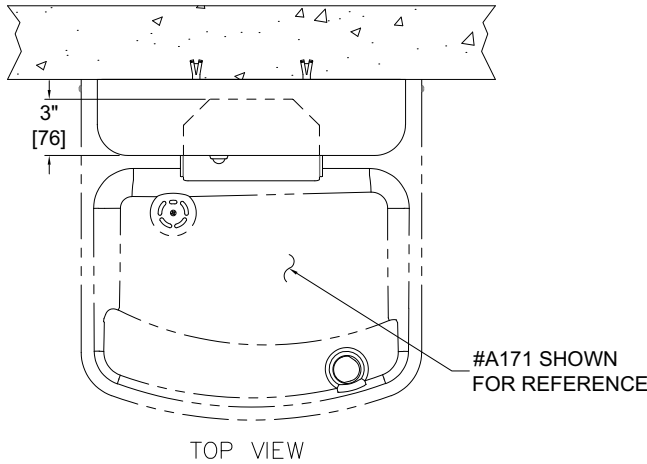
MURDOCK MFG. • 15125 Proctor Avenue • City of Industry, CA 91746 USA
Phone 800-453-7465 or 626-333-2543 • www.murdockmfg.com

Member of
MORRIS GROUP
INTERNATIONAL

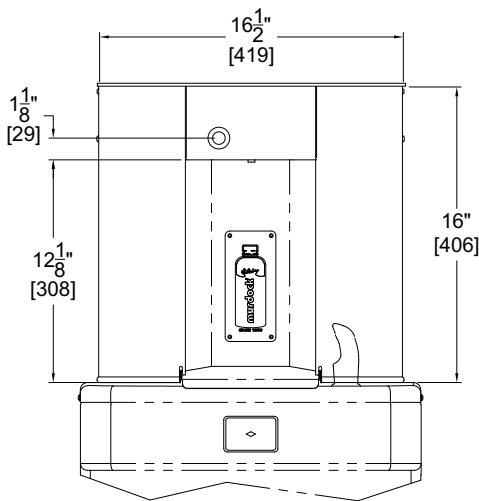
BF1S Series

MODEL: BF1S

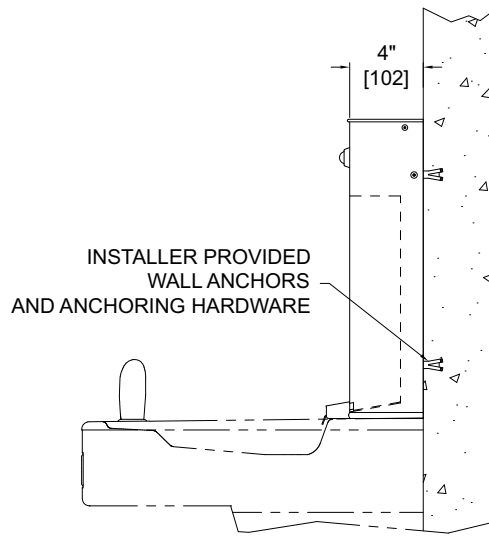
**HEAVY DUTY PUSHBUTTON OPERATED
BOTTLE FILLER**



TOP VIEW



FRONT VIEW



SIDE VIEW

GENERAL NOTES:
1. ALL DIMENSIONS ARE IN INCHES (MM)

SELECTION SUMMARY & APPROVAL FOR MANUFACTURING	Model Number & Options _____	Quantity _____	<i>All dimensions are subject to manufactures tolerance of plus or minus 1/4" nominal and subject to change without notice. Murdock® assumes no responsibility for use of void or superseded data. Dimensions may change with the addition of optional accessories. Murdock® Mfg., Member of Morris Group International®. Please visit www.murdockmfg.com for most current specifications.</i>
	Company _____		
	Contact _____	Title _____	
	Signature (Approval for Manufacturing) _____	Date _____	