

**BFEZ16 Series and BFEZ168 Series
Wall Mounted Bottle Filler**



BFEZG168



BFEZS168



**TECHNICAL ASSISTANCE TOLL FREE TELEPHONE NUMBER:
1-800-591-9360**

Technical Assistance E-Mail: fieldservice@acorneng.com

NOTES TO INSTALLER:

- 1. Please leave this documentation with the owner of the fixture when finished.**
- 2. Please read this entire booklet before beginning the installation.**
- 3. Check your installation for compliance with plumbing, electrical and other applicable codes.**

Murdock™ assumes no responsibility for use of void or superseded data. © Copyright Murdock Mfg., City of Industry, CA Member of Morris Group International. Please visit www.murdockmfg.com for most current specifications.

**COMPLIES WITH
STANDARDS**

NSF/ANSI 61



murdock[®]
SINCE 1853

Member of

MORRIS GROUP
INTERNATIONAL

15125 Proctor Ave, City of Industry,
CA, 91746 U.S.A.
Phone 800-591-9360
626-336-4561
www.murdockmfg.com

PRIOR TO INSTALLATION:

Important: Some options may slightly alter installation. To ensure proper installation, review the Manual thoroughly and verify rough-ins before beginning work. Leave this Manual with the owner or maintenance personnel upon completion of installation.

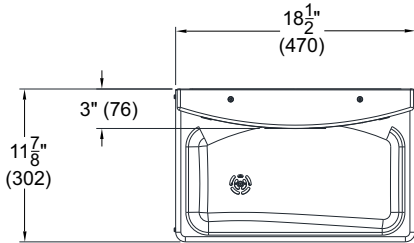
- Fixture mounting requirements: Industry standard wall construction, adequate to support the fixture and installer-provided Wall Anchors sufficient to secure the fixture.
- Receptacle(s) must be wired to a GFCI protected circuit. Fixture must be earth grounded per NEC (National Electric Code).
- Inspect fixture and all parts for damage.
- To avoid a hazard due to instability, fixture must be installed in accordance with the instructions.

IMPORTANT:

1. Waste P-Trap, Water Supply Service Angle Stop Valve, and 2" x 4" Electrical Plug-In Receptacle to be supplied by others in accordance with local codes. A P-Trap (by others) must be used for the Drain connection waste.
2. **BFEZ168** Fixtures: Provide 4" minimum clear space on both sides of fixture to allow for proper ventilation through Cabinet Louvers.
3. Water Supply Inlet is 3/8" Outer Diameter copper Tubing. Waste Outlet is 1-1/4" Outer Diameter.
4. Completely flush supply lines of all foreign debris before connecting to fixture. Optional (-WF1) Water Filter is available to ensure protection from problems with taste, odor, color or sediment arising from Water Supply.
5. Do NOT solder Tubing while inserted into the Coupler as damage to the O-Ring may result.
6. All burrs must be removed from outside of cut Tubing before inserting into Coupler or other components.
7. **BFEZ168** Fixtures: Power Supply must be identical in voltage, cycle and phase to that specified on the Chiller Data Plate. Electrical Outlet and furnished Power Cord with Plug must be used to supply power to fixture. Do NOT wire Compressor directly to the Power Supply.
8. This unit must be grounded per the requirements of applicable electrical codes.
9. Warranty is voided if installation is not followed per current Murdock Mfg. installation instructions and if components are assembled to the fixture that are not approved by Murdock Mfg.
10. Fixture is to operate within a water pressure range of 25 PSIG (172 kPa) to 105 PSIG (724 kPa). Warranty is void if the unit is allowed to operate outside the range of 25 PSIG (172 kPa) to 105 PSIG (724 kPa). A Pressure Regulator (by others) must be installed on supply line if inlet pressure is greater than 105 PSIG (724 kPa).
11. **BFEZ168** Fixtures: Due to cold waste water, Murdock Mfg. recommends that P-Trap supplied by installer be insulated to prevent excessive condensation.
12. **609.10 Water Hammer.** *Building water supply systems where quick-acting valves are installed shall be provided with water hammer arrester(s) to absorb high pressures resulting from the quick closing of these valves. Water hammer arresters shall be approved mechanical devices that comply with ASSE 1010 or PDI-WH 201 and shall be installed as close as possible to quick-acting valves.*
13. **609.10.1 Mechanical Devices.** *Where listed mechanical devices are used, the manufacturer's specifications as to location and method of installation shall be followed.*
14. For optimum performance, the fixture is to operate within the ambient temperature range of 41°F (5°C) to 111°F (44°C).
15. If the Power Supply Cord is damaged, it may only be replaced by authorized qualified persons.

DIMENSIONAL DRAWING

Prior to roughing in, consult with local, state, and federal codes for proper mounting height.



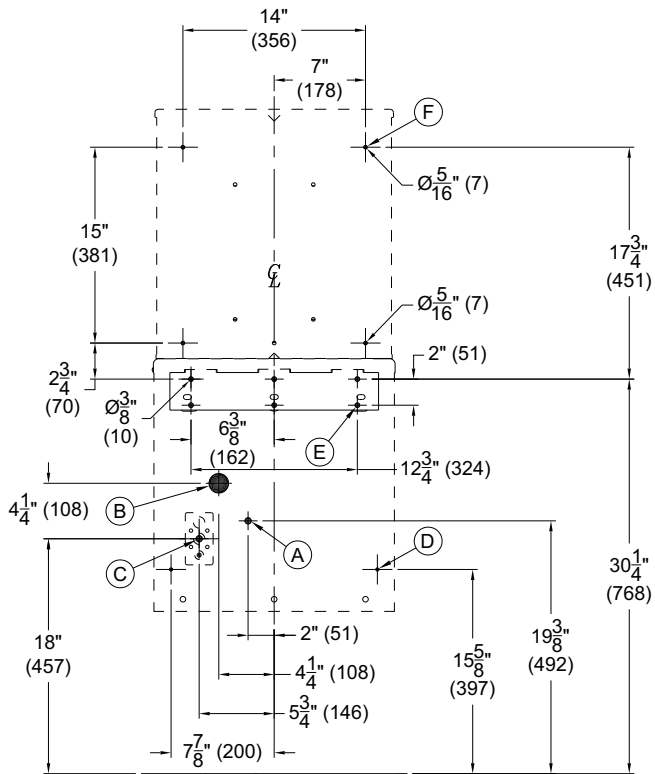
TOP VIEW

GENERAL NOTES:

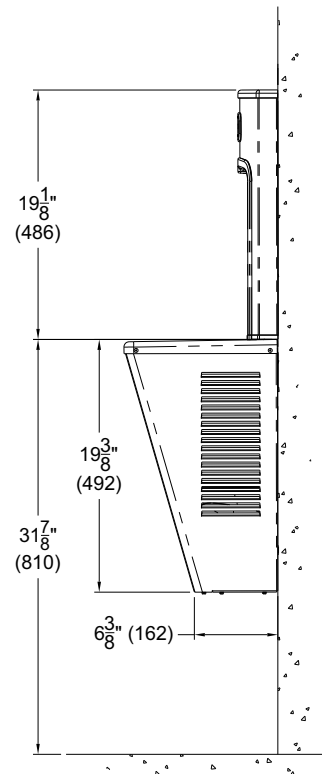
1. ALL DIMENSIONS ARE IN INCHES (MM).
2. ALLOW 4 INCHES (102 MM) MINIMUM CLEARANCE PER SIDE FOR VENTILATION.
3. STOP VALVE, P-TRAP, & ELECTRICAL OUTLET REQUIRED BY OTHERS.
4. IMPORTANT: CHILLER MUST BE ATTACHED TO WALL WITH APPROPRIATE ANCHOR SCREWS.

ROUGH-IN NOTES:

- A. 3/8" O.D. SUPPLY INLET.
- B. 1-1/4" O.D. TAILPIECE WASTE OUTLET PROVIDED. P-TRAP BY OTHERS.
- C. ELECTRICAL SERVICE ROUGH REQUIRED FOR CHILLER. BOTTLE FILLER MAY BE USED WITH 120VAC PLUG-IN TRANSFORMER OR 9VDC BATTERY POWER PACK (PROVIDED).
- D. Ø1/4" PUNCHING, 2 PLACES FOR ANCHORING HARDWARE BY OTHERS.
- E. Ø3/8" HANGER BRACKET PUNCHING, 6 PLACES.
- F. Ø5/16" PUNCHING, 4 PLACES FOR ANCHORING HARDWARE BY OTHERS.

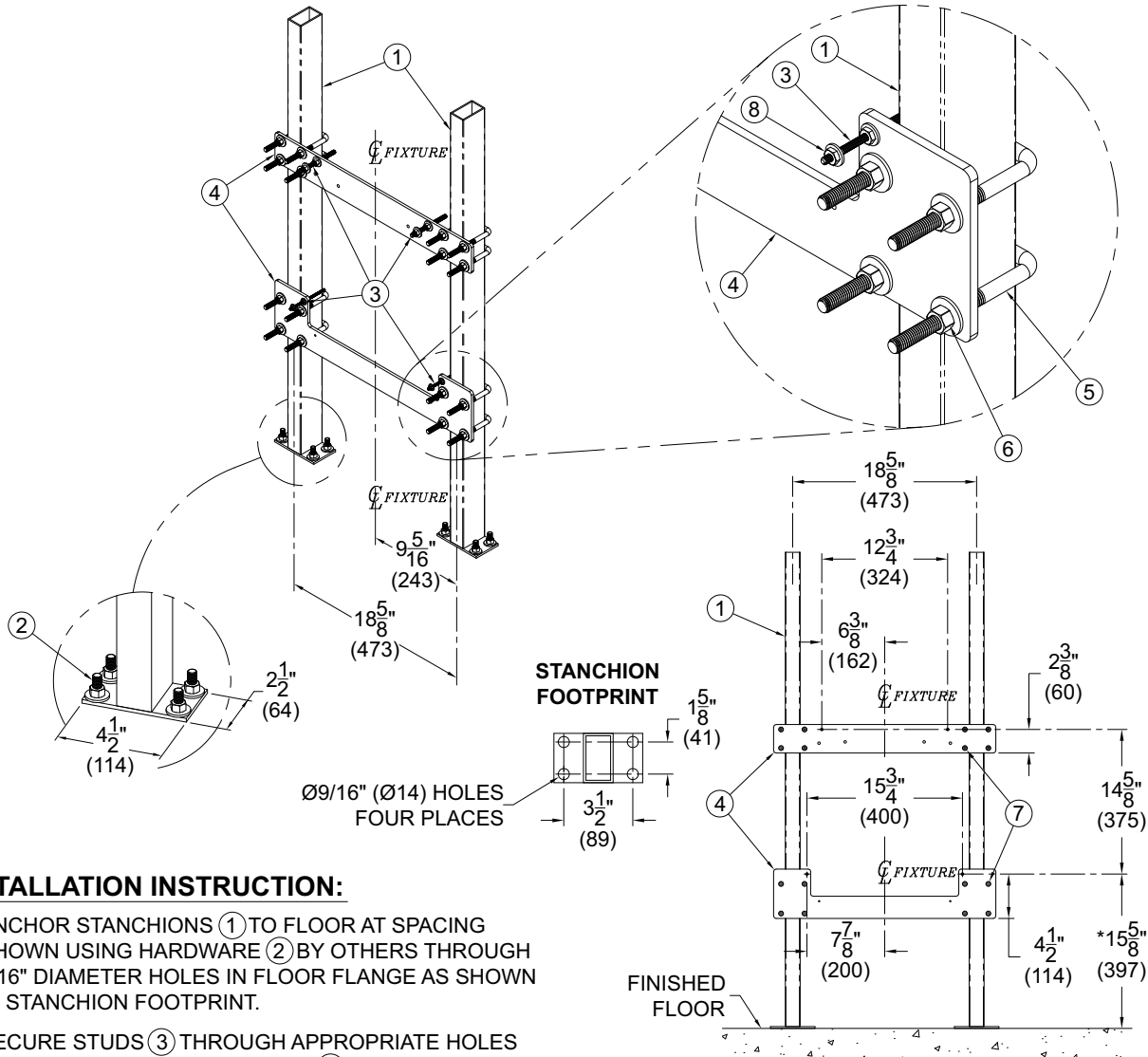


FRONT VIEW



SIDE VIEW

OPTIONAL -CSC6 SINGLE DRINKING FOUNTAIN CONCEALED SUPPORT CARRIER



INSTALLATION INSTRUCTION:

A- ANCHOR STANCHIONS ① TO FLOOR AT SPACING SHOWN USING HARDWARE ② BY OTHERS THROUGH 9/16" DIAMETER HOLES IN FLOOR FLANGE AS SHOWN IN STANCHION FOOTPRINT.

B- SECURE STUDS ③ THROUGH APPROPRIATE HOLES ONTO BOTH MOUNTING PLATES ④ TWO #10-32 STUDS ON LOWER PLATE. TWO 5/16"-18 UNC STUDS ON THE UPPER PLATE. USE NUTS AND WASHERS ⑧ ON FRONT AND BACK OF PLATE WITH STUDS PROTRUDING 1/2" MAXIMUM BEYOND FINISHED WALL FACE.

C- ASSEMBLE BOTH PLATES ④ AT APPROPRIATE HEIGHTS TO STANCHIONS ① USING SUPPLIED U-BOLTS ⑤ AND NUTS AND WASHERS ⑥ THROUGH 1/2" DIAMETER HOLES ⑦. U-BOLTS MAY NEED TO BE TRIMMED DEPENDING ON DEPTH OF FINISHED WALL MATERIAL.

D- MAKE APPROPRIATE SUPPLY AND WASTE ROUGH-INS.

E- COMPLETE INSTALLATION OF FINISHED WALL LEAVING STUDS ③ PROTRUDING AND ROUGH-INS ACCESSIBLE.

F- SECURE MOUNTING BRACKET PROVIDED WITH FIXTURE TO THE UPPER STUDS ③ WITH NUTS & WASHERS ⑧ COMPLETE INSTALLATION REFERENCING THE FIXTURE INSTRUCTIONS.

NOTES: Dimensions indicated (*) are for ADA frontal approach installation. Adjust vertical dimension (*) as required to comply with federal, state, and local codes.

INSTALLATION:

1. Mount Hanger Bracket to wall horizontally level as shown in Rough-In and Dimensional Drawing. Hanger Bracket **MUST** be securely anchored to wall with fasteners by others sufficient to support 3 times the weight of Cabinet or Water Cooler.

NOTE: If wall cannot provide adequate support, order and install optional fixture support carrier.

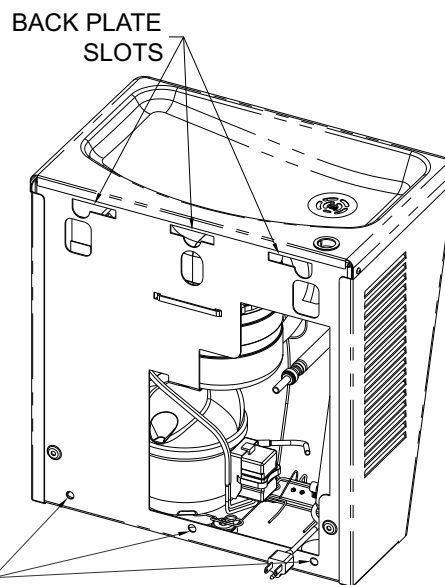
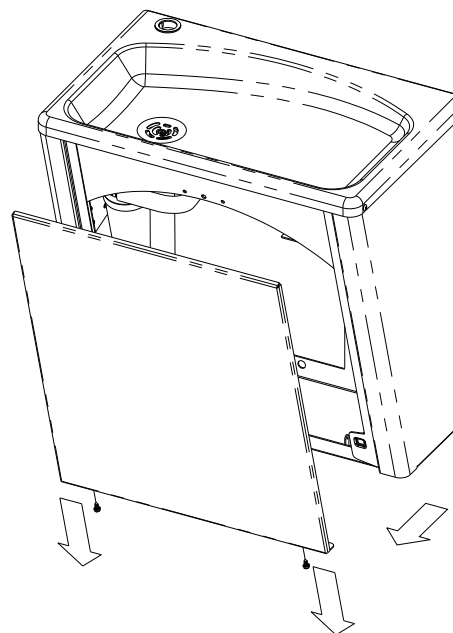
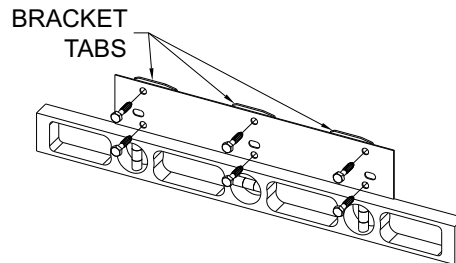
NOTE: If replacing a **competitors Water Cooler** you may be able to use existing mounting bracket.

2. Models **BFEZ16/BFEZ168**: Remove the two screws from bottom front of unit and disengage front Access Panel and set aside in a safe place. Place the Screws in a secure location for re-use in later stages of installation.

3. Models **BFEZ16/BFEZ168**: Hang unit on the Hanger Bracket, ensuring the Bracket Tabs engage and seat in the slots in the back of the unit. Verify unit is level, left to right and front to back at the bottom of unit. The bottom of the unit should be used as reference to verify unit is square and plumb. Shim lower rear mounting points to level unit if necessary. Anchor lower anchoring points to wall.

5. Models **BFEZ16/BFEZ168**: Make up 1-1/4" O.D. Waste Connection for P-Trap (by others). **BFEZ16**: Proceed to Bottle Filler Installation to continue.

6. **BFEZ168**: Make up connection to Water Filter if required prior to connecting 3/8" O.D. Tube inlet connection to Supply Stop by others. Proceed to Bottle Filler Installation to continue.

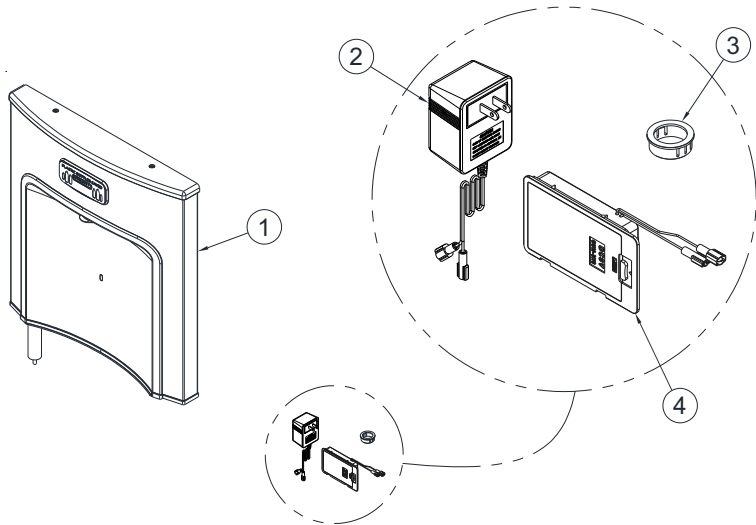


(BFEZ168 SHOWN)

LOWER ANCHORING POINTS

BOTTLE FILLER INSTALLATION DETAILS

1 Remove Bottle Filler Assembly, Power Supply and Grommet from packaging, careful to avoid damage to fixture and fixture Sub Assemblies. Assemble Grommet to EZ deck and set Power Supply aside in a secure location.

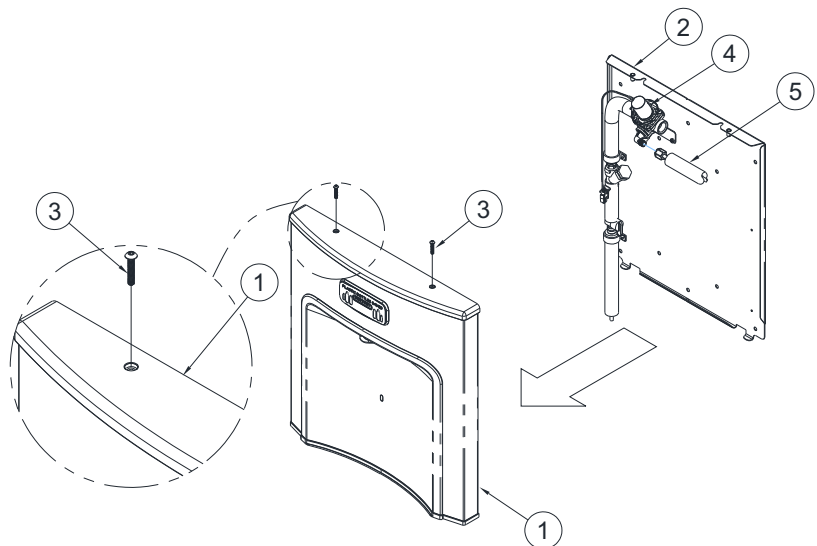


- ① Bottle Filler Assembly
- ② Power Supply
- ③ Locking Grommet -Assemble to EZ fixture deck
- ④ Battery Power Pack

NOTE: Bottle Filler may be used with Plug-In Transformer or Battery Power Pack (Provided).

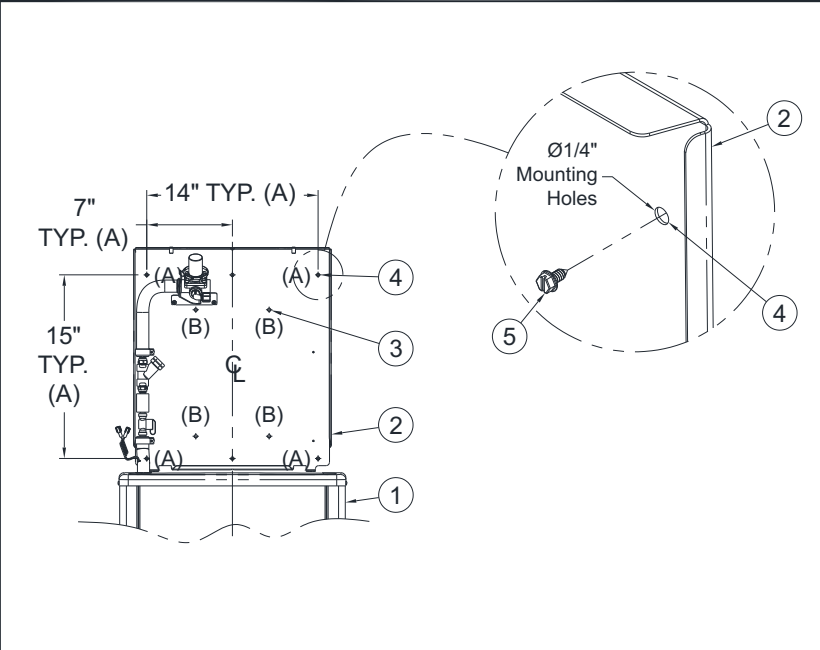
- ① Bottle Filler Housing
- ② Mounting Channel
- ③ #10-32 x 1" Button Head Screw
- ④ Solenoid Valve
- ⑤ 1/4" OD Insulated Tubing

2 Unfasten screws that hold the Bottle Filler Housing to the Mounting Channel. Disconnect insulated 1/4" riser tubing from Solenoid Valve to separate. Place Bottle Filler Housing and screws in a secure location.



BOTTLE FILLER INSTALLATION DETAILS (CONTINUED)

3 Center BF12 Mounting Channel over EZ deck and anchor to finished wall, securing with wall anchors and anchoring hardware by the installer. Refer to Rough-in page for Anchoring locations.



- ① EZ deck and cabinet
- ② Mounting Channel
- ③ (B) 4x Auxiliary Mounting Holes (not required)
- ④ (A) 4x Mounting Holes
- ⑤ Anchoring Hardware by others

*NOTE: Thread 1/4" OD insulated inlet tubing through Grommet and into EZ cabinet prior to securing to wall.

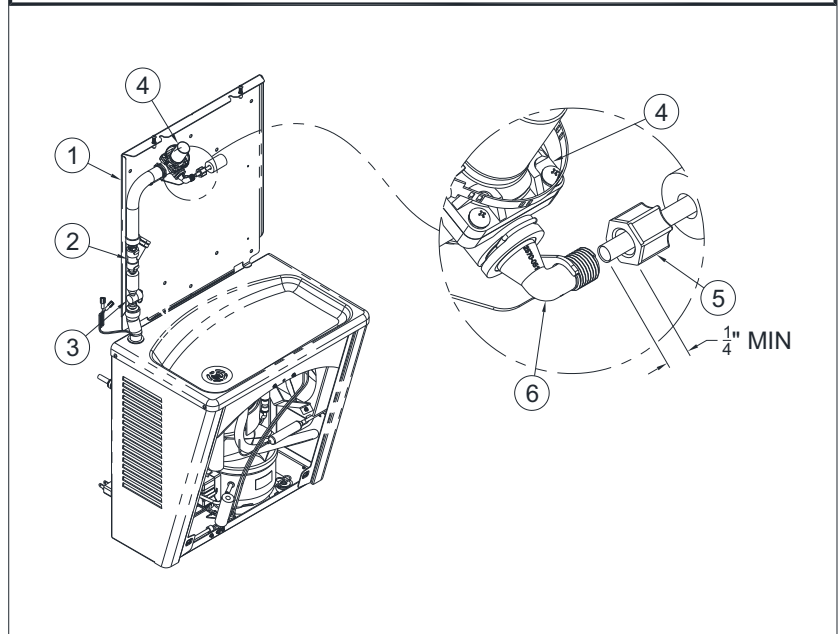
*NOTE: Insulation Tubing may overlap Fittings. Illustrations may show exposed 1/4" OD Tubing for clarity only.

- ① Mounting Channel
- ② Y-Strainer
- ③ Shut-off Valve
- ④ Solenoid Valve
- ⑤ Ferrule Nut for 1/4" OD tubing
- ⑥ Valve riser elbow

*NOTE: Protect Power Wire Harness by routing within insulated tubing while passing through grommet.

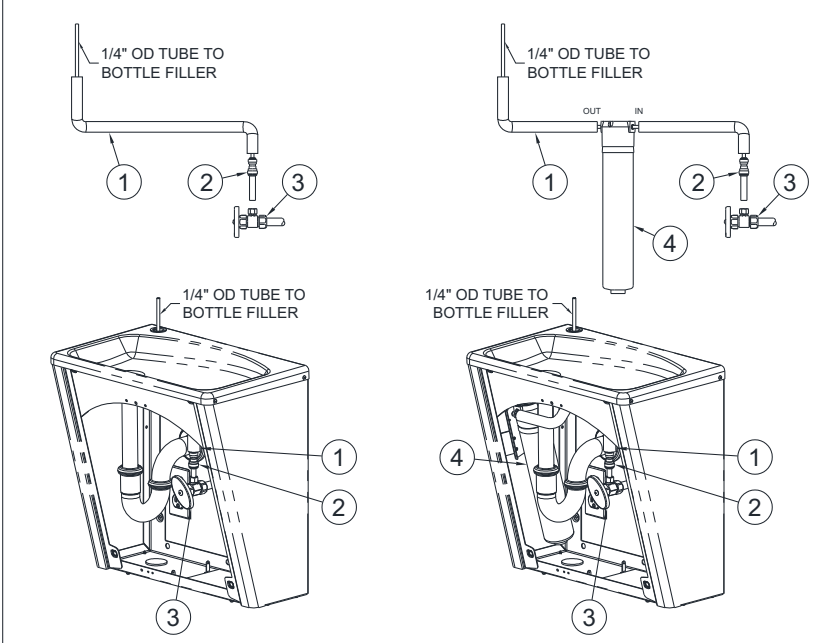
*NOTE: Insulation Tubing may overlap Fittings. Illustrations may show exposed 1/4" OD Tubing for clarity only.

4 Thread Power Wire Harness and insulated 1/4" OD tubing through Grommet into EZ cabinet. Re-connect insulated 1/4" OD tubing from BF12 Housing to Solenoid Valve.



BOTTLE FILLER INSTALLATION DETAILS (CONTINUED)

5A BFEZ16: Within the BFEZ16 Cabinet, make up connections to WF1 if required at this time. See water path diagram below. Connect the BF12 supply line to supply stop by others.



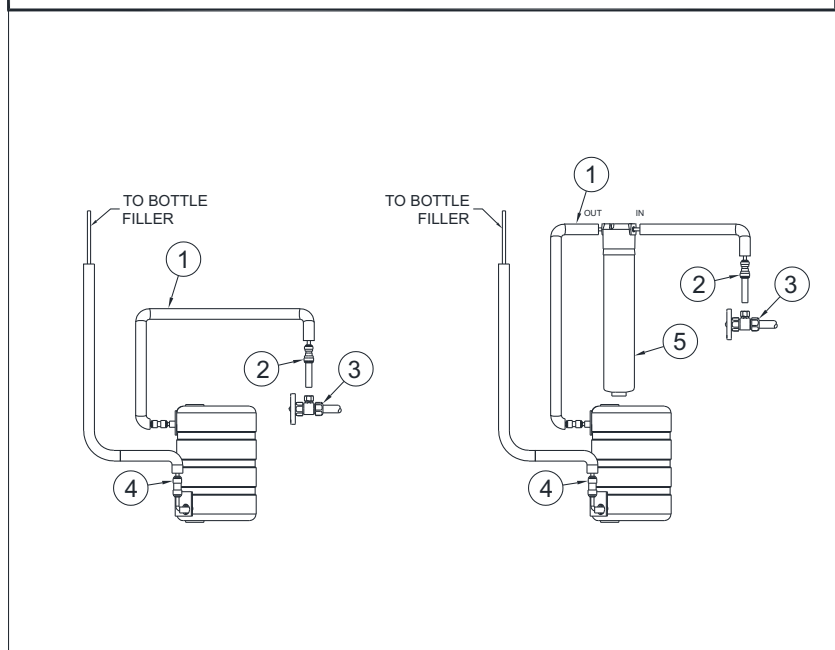
- ① Insulated 1/4" OD Tubing
- ② 1/4" OD x 3/8" OD Tube Union Push-in fitting
- ③ 3/8" OD Angle Stop by others
- ④ Optional -WF1 1500 Gallon Water Filter shown

*NOTE: Insulation Tubing may overlap Fittings. Illustrations may show exposed 1/4" OD Tubing for clarity only.

- ① Insulated 1/4" OD Tubing
- ② 1/4" OD x 3/8" OD Tube Union Push-in fitting
- ③ 3/8" OD Angle Stop by others
- ④ 1/4" OD Union fitting on Evaporator
- ⑤ Optional -WF1 1500 Gallon Water Filter shown

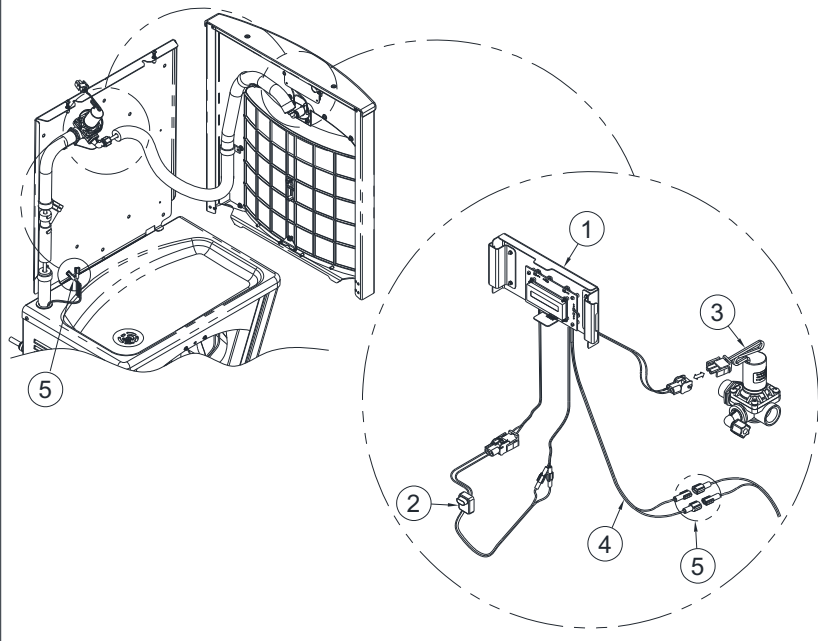
*NOTE: Insulation Tubing may overlap Fittings. Illustrations may show exposed 1/4" OD Tubing for clarity only.

5B BFEZ168: See water path diagram below. Within the BFEZ168 Cabinet, make up connections to evaporator union fitting with BF12 supply line.



BOTTLE FILLER INSTALLATION DETAILS (CONTINUED)

6 BFEZ16/BFEZ168: Make up electrical connections as indicated in the diagram below.

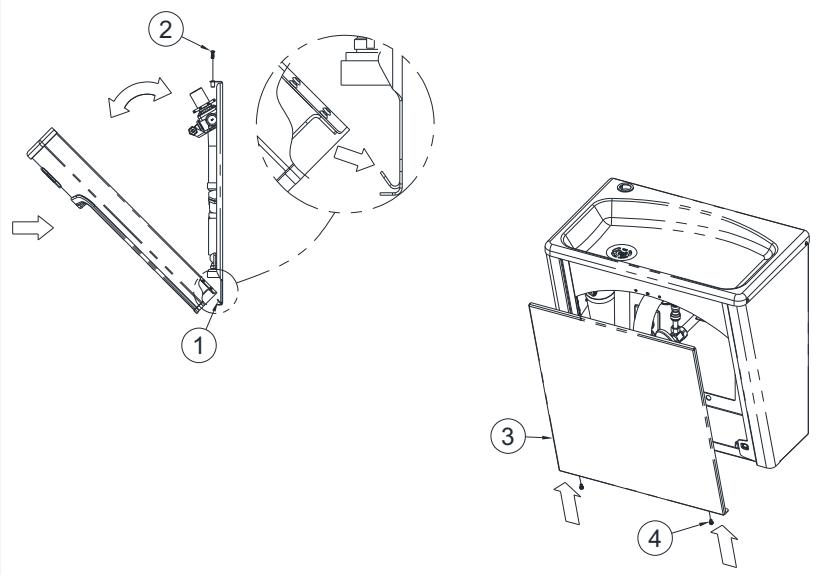


- ① Bottle Filler -BCD Bottle Count Display
- ② Sensor, connected to -BCD shown
- ③ Solenoid Valve, with White Mate-n-Lok Connector
- ④ BCD Power Harness w/ Red Insulated 1/4" QD Connectors
- ⑤ Red Insulated 1/4" QD connectors on Power Harness from plug-in Transformer or Battery Pack provided

*NOTE: Insulation Tubing may overlap Fittings. Illustrations may show exposed 1/4" OD Tubing for clarity only.

- ① Bottle Filler bottom hanger
- ② Secure Bottler Filler housing with screws provided
- ③ EZ front Access Panel
- ④ EZ front Access Panel screws

7 To assemble Bottle Filler housing to mounting channel, engage bottom hanger on Mounting Channel and rotate to close. Secure with screws provided. Plug-in Transformer or add batteries to Battery Pack to Test prior to replacing bottom access panel on EZ cabinet



BFEZ168 WATER CHILLER ELECTRICAL INSTALLATION

1. Plug-In power cord into GFCI protected circuit.

BOTTLE FILLER ELECTRICAL INSTALLATION

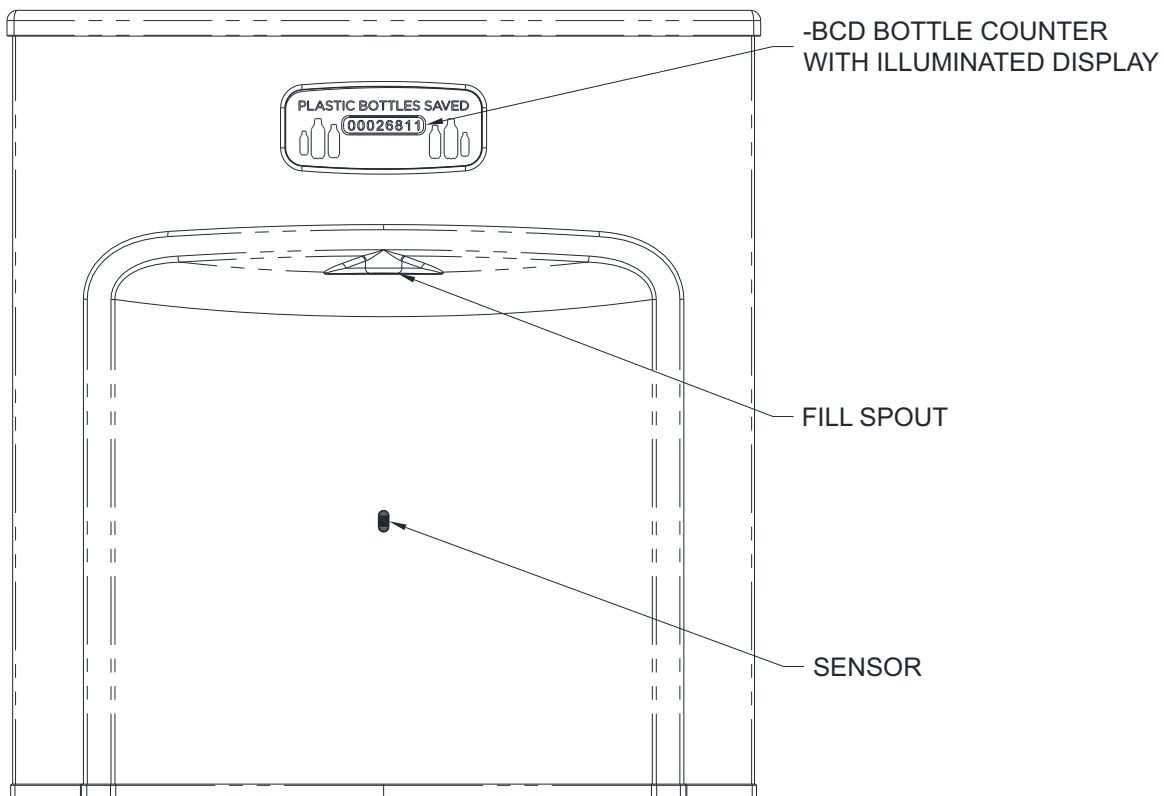
- 1a. Plug-in Operation: Plug Transformer provided into a GFCI protected circuit electrical service.
- 1b. Battery Power Pack Operation: Install 6 AA batteries (By others).
2. Connect Power Supply Harness wires with red 1/4" insulated QD connectors to the -BCD Bottle Counter Display.

START UP

Air within the Bottle Filler system or the structure supply piping will cause irregular spout outlet stream until purged out by incoming water. Hold cup (or similar object) directly below Filler Spout is recommended when first activating Bottler Filler to prevent excessive splashing. Activat sensor until a steady water stream is achieved.

OPERATING INSTRUCTIONS:

Position container to be filled directly in front of the sensor and centered under the Filler Spout. Water flow starts automatically. When the container is almost filled, remove container. The water will stop flowing.



BOTTLE COUNTER DETAIL

The BCD is an Illuminated LCD Display that indicates bottles counted and includes a filter replacement alert function. The software applies a combined flow volume of approximately 16.9 fl oz (volume in standard size water bottle) per each bottle counted. If the flow volume is less than 16.9 fl oz there will be no count but the volume will accumulate, so that part way through the next cycle the total bottle count will change.

BCD FUNCTIONS:

Located on the back of the display you will find the Reset-Mode button for the function settings. The Reset-Mode Button is accessible by removing the Housing, then locate the large hole in the back of the Display Mounting Bracket. Use your finger or nonconductive object to depress the Button.

CAUTION: DO NOT USE SHARP OR METAL OBJECTS

With this Reset-Mode Button, you are able to indicate if the unit does or does not have a Filter as well as Filter capacity if included.

•To change display to match Filter capacity or indicate no filter:

Press and hold Button until the display matches installed Filter type, then release.

"FILTER NONE"

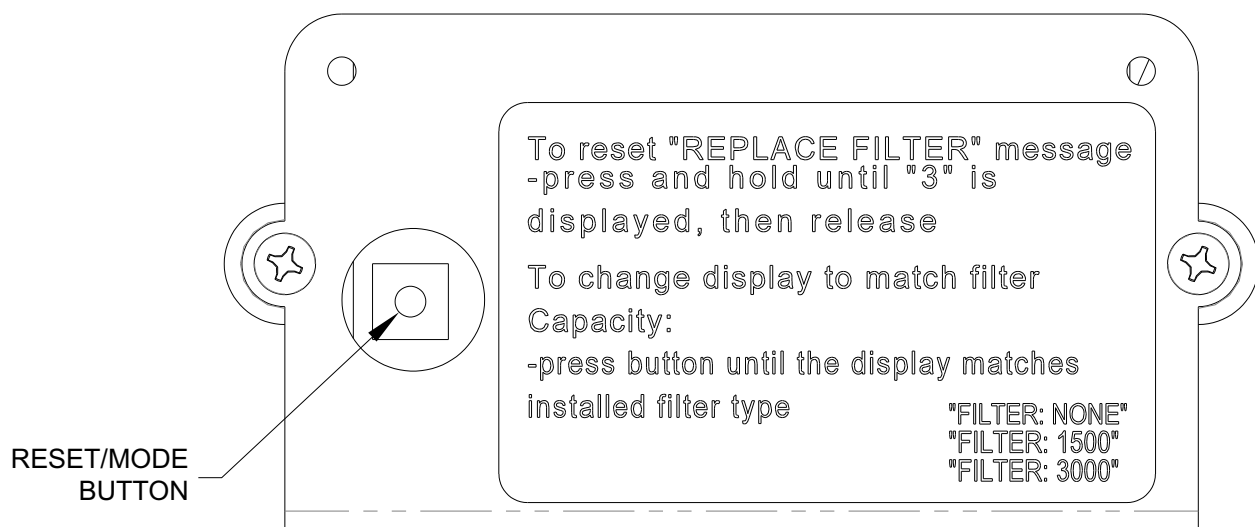
"FILTER 1500"

"FILTER 3000"

When the Bottle Filler dispensed volume accumulates to Filter capacity, the "**REPLACE FILTER**" alert will appear on the display every time the Bottle Filler is activated.

•To reset "REPLACE FILTER" message:

Press and hold Button until "3" is displayed, then release.

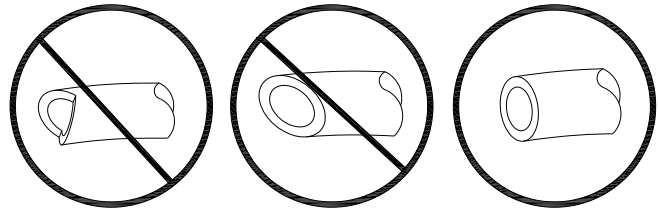


PUSH-IN FITTING INSTALLATION

NOTE: FITTINGS AND TUBE SHOULD BE KEPT CLEAN, BAGGED AND UNDAMAGED PRIOR TO INSTALLATION.

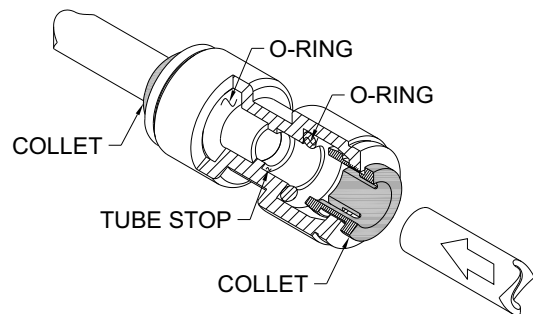
TO CUT TUBE:

Cut to fit length of 1/4" PE Tubing and remove any burrs or sharp edges. Ensure that the outside diameter is free from score marks. Tube ends should be square.

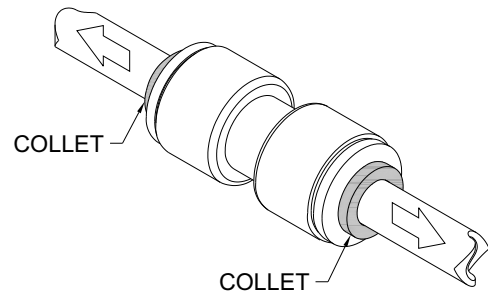


INSERTING THE TUBE:

1. Firmly and fully insert the Tubing end into the Push-In Fitting up to the Tube Stop located approximately 1/2" deep.

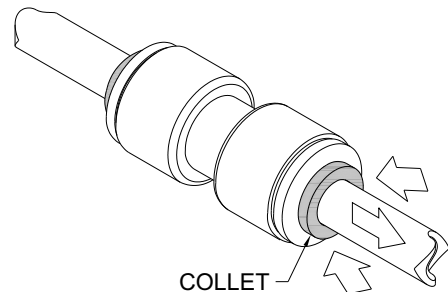


2. Pull on the fitted Tubing to ensure it is secure. Tube should not come free from the Fitting. Water test the connection assembly prior to leaving the site to ensure there are no leaks.



DISCONNECTING THE TUBE:

Prior to disconnecting the Tube from the Fitting, ensure that the Water Line is depressurized. Push Collet Square towards the Push-In Fitting Body and hold. While holding the Collet in, pull on the PE Tubing to remove from the Push-In Fitting.



BOTTLE FILLER TROUBLE-SHOOTING:

1. IF LIGHT WITHIN SENSOR DOES **NOT FLASH ONCE WHEN USER IS WITHIN RANGE:**
 - a. Verify 120VAC input & 9VDC output of Transformer.
 - b. Replace defective Transformer.
 - c. Sensor in "Security Mode" after 20 seconds of constant detection. Remove source of detection and wait 30 seconds before checking.
 - d. Sensor is picking up a highly reflective surface. Eliminate cause of reflection and wait 30 seconds before checking.
 - e. Replace defective sensor.
2. IF LIGHT WITHIN SENSOR LENS FLASHES ONCE WHEN THE USER IS WITHIN RANGE:
 - a. Repair bad connection from Sensor to Solenoid.
 - b. There is debris or scale in the Solenoid assembly. Remove Solenoid, pull out Plunger and Spring. Clean with scale remover solution.
 - c. There is debris or scale in center or two holes in convolution of the water diaphragm. Remove and clean.
3. **RESTRICTED OR NO WATER FLOW**
 - a. Ensure Water Supply service stop valve is fully open.
 - b. Verify minimum 20 PSIG supply line flow pressure.
 - c. Check for twist or kinks in Spout Tubing.
 - d. Check the water inlet "Y" Strainer. Sediment from the main supply can get trapped in the Screen along with installation materials such as pipe dope and flux. The Screen should be cleaned and checked on a regular basis and replace if needed.
 - e. Flow Control in spout clogged, remove & clean.
 - f. The Water Cooler may also develop a freezing condition in which the water will become frozen inside the Evaporator coil. This indicates a refrigeration problem or Thermostat failure in which case the Water Cooler needs to be checked by a qualified technician.
 - g. No power to Transformer connections loose or wires cut.

CLEANING & MAINTENANCE GUIDE:

1. To remove water spots or rust spots, stainless steel cleaner/polish on a cloth is recommended.
2. If there are stubborn spots or if you wish to treat a scratch, synthetic abrasive general purpose pads such as Scotch-Brite[®] is recommended.
3. Apply stainless steel cleaner/polish to the synthetic abrasive pads and carefully rub the panel with the grain.
4. Do NOT use harsh chemicals, abrasive or petroleum based cleaners. Use of these will void the Murdock warranty. DO NOT use abrasives on powder coated units.
5. Stainless steel should be kept clean at all times. If a coating of stainless steel cleaner/polish is maintained, stainless steel surfaces will retain their new, clean, polished appearance indefinitely. Use clean mild soapy water for powder coated units.
6. Periodically remove Panels and clean out inline "Y" Strainer.

BFEZ168 CHILLER TROUBLESHOOTING:

IMPORTANT: BEFORE MAKING ANY OF THE REPAIRS LISTED, MAKE SURE THE WATER COOLER IS DISCONNECTED FROM THE ELECTRICAL SUPPLY AND THE WATER SUPPLY VALVE IS SHUT OFF.

1. Adjustments:

- a. Bottle Filler Stream – Splashing may occur from Bottle Filler stream if the unit is not level. Shim lower mounting points, if necessary, to level Water Cooler.
- b. BFEZ168 Chiller Units (only)– Cold Water Thermostat - **Important:** Thermostat is Factory pre-set Thermostat setting should never be field adjusted since damage to fixture may occur, voiding product Warranty.

2. Compressor Does Not Run

- a. Check the Power Supply Cord.
- b. Check the electrical Receptacle for power and correct voltage. The incoming voltage must be within 10% of the rated voltage on the Serial Nameplate.
- c. The Cold Thermostat is accessible by removing the Bottom Access Cover. If the Cold Thermostat Capillary Bulb loses its charge or becomes kinked, it will fail in the open position causing a disruption of power to the Compressor. Unplug the Water Cooler and using an ohm Meter, check for continuity across the two electrical Terminals on the Thermostat. Install a new Thermostat if there is no continuity.
- d. Check for loose wires within the Compressor Box. The incoming power Leads must be connected to the Overload and Relay.
- e. If all components check positive for continuity, then test the Wiring Harness Plug for continuity to see if there is a broken Wire within the Wiring Harness insulation.

3. Compressor Runs – Water Is Warm

- a. The most common cause for a Water Cooler to run without producing cold water is a loss of refrigerant. The Water Cooler must be taken to a certified refrigerant technician for repairs.
- b. Make sure the Condenser Fan Motor is operative. The Fan Blade must turn freely to help remove the heat.
- c. An incorrect refrigerant charge, restriction, or defective Compressor (not pumping) will also cause the Compressor to run without producing cold water. All these signs indicate a problem within the refrigeration system and the Water Cooler must be checked by an authorized service company.

4. Compressor Cycling On Overload Protector

- a. A dirty Condenser or a blocked Fan will cause a high head pressure and frequent cycling of the Overload Protector.
- b. Check the incoming voltage to make sure it is within 10% of the Serial Nameplate rating.
- c. A restriction or moisture in the system will also cause intermittent cycling. A certified refrigeration mechanic should be contacted in this situation.
- d. Change the Overload or Relay if defective.

5. Noisy Operation

- a. Check to make sure the fan blade is rotating freely.
- b. Make sure the water cooler is correctly mounted to the wall. Absence of the two lower mounting bolts may cause excess noise and vibration.
- c. Check the compressor mounting to make sure the pins and clips are not rattling. If the compressor appears to be noisy internally, it must be replaced.

6. Restricted Or No Water Flow

- a. Ensure water supply service stop valve is fully open.
- b. Verify minimum 20 psig supply line flow pressure.
- c. Check for twists or kinks in Bottle Filler tubing.
- d. Check the water inlet strainer. Sediment from the main supply can get trapped in the screen along with installation materials such as pipe dope and flux. The screen should be cleaned and checked on a regular basis and replace if needed.

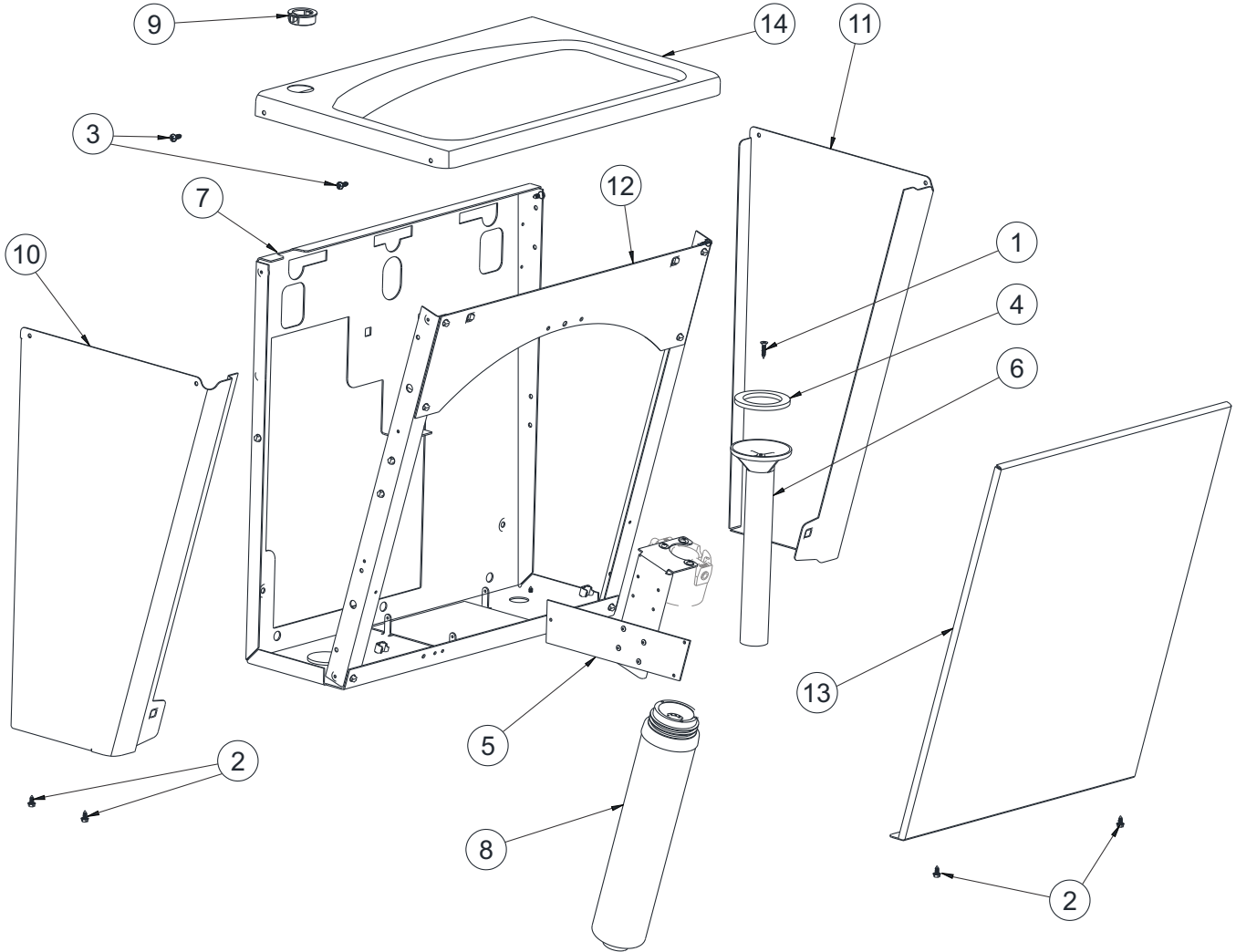
NOTE: STRAINER SCREEN MUST BE IN PLACE FOR WATER TO FLOW.

- e. Check flow adjustment. See start up note #3.
- f. The water cooler may also develop a freezing condition in which the water will become frozen inside the evaporator coil. This indicates a refrigeration problem or thermostat failure in which case the water cooler needs to be checked by a qualified technician.

CLEANING & MAINTENANCE GUIDE:

1. Motors have lifetime lubrication and do not require scheduled maintenance.
2. Excess dirt or poor ventilation will cause the compressor overload protector to turn the compressor off and it will cycle on and off with no cold water coming out of bubbler. Periodically clean with vacuum cleaner, air hose or brush the condenser fins and cabinet ventilation louvers. In environments where dirt and dust is more prevalent, clean more frequently.
3. Periodically remove access panels and clean out in-line strainer.
4. Do NOT use harsh chemicals, abrasive or petroleum based cleaners. Use of these will void the Acorn warranty.
5. Exterior panels can be cleaned using mild household detergents or warm, soapy water. Extra care must be used cleaning chrome plated items and mirror finished stainless steel. They can scratch easily and should only be cleaned using a clean, soft cloth and mild soap with water or a mild glass cleaner.

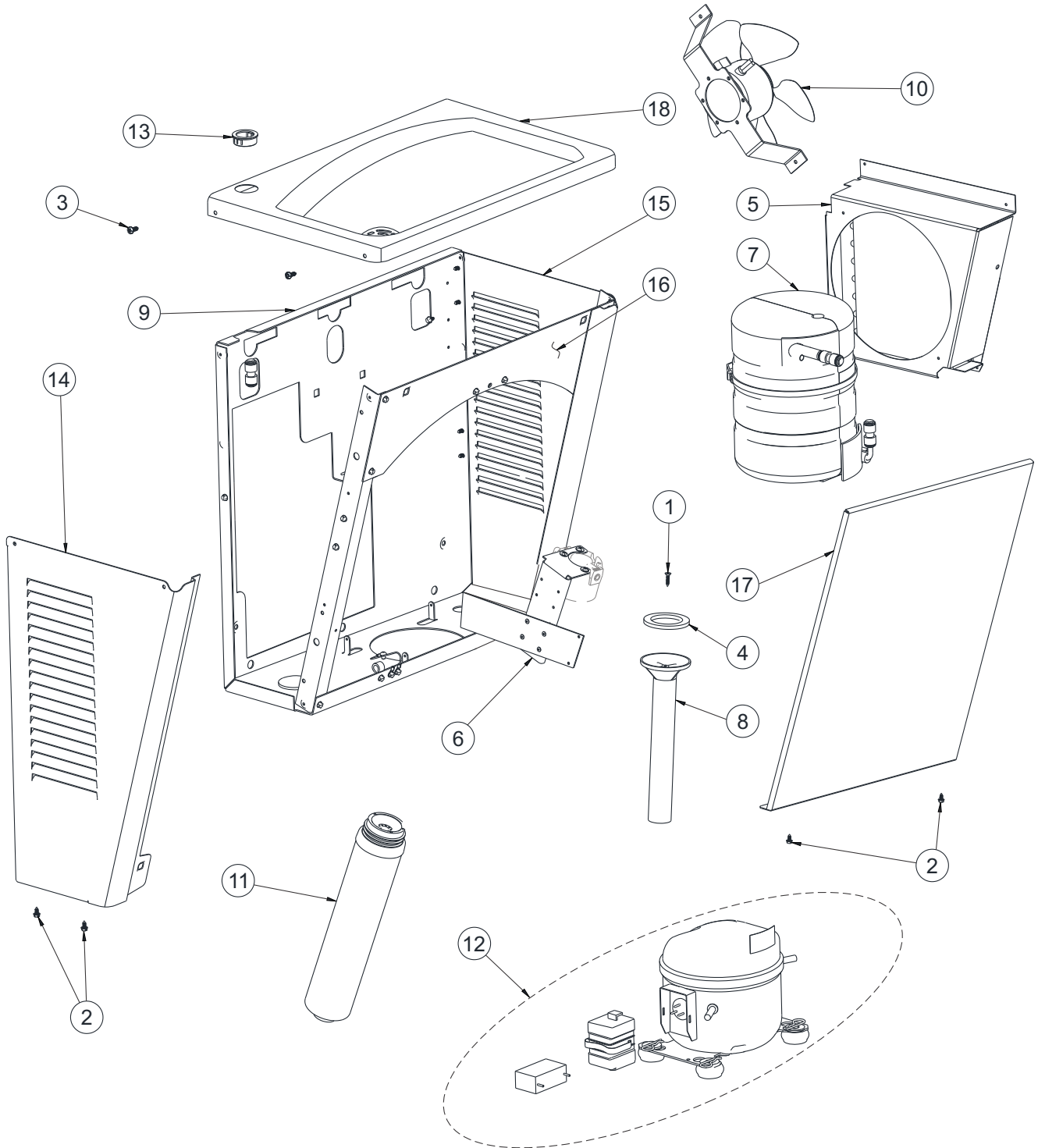
BFEZ16 PARTS BREAKDOWN



BFEZ16 PARTS BREAKDOWN (CONTINUED)

ITEM #	PART NUMBER	DESCRIPTION
1	0124-008-000	#8X3/4" TORX FLAT HEAD, S/S
2	0124-031-000	#8x3/8" HEX WASHER HD SCREW, ZINC, SLOTTED
3	0124-036-000	#8X1/2" SM SCREW, TORX HEAD, S/S
4	7000-006-000	DRAIN ADAPTER GASKET
5	7003-034-002	FILTER MOUNTING BRACKET ASSEMBLY, WF1 & WF3
6	7003-180-000	ACCESS DRAIN, SINGLE LEVEL
7	7003-900-004	HAND WASH FRAME ASSEMBLY
8	7012-313-000	WF1 FILTER 1500 GALLON REPLACEMENT CARTRIDGE
9	7100-441-000	15/16 ID LOCKING GROMMET
10	MURBF406-199	(-BFEZG16) LEFT SIDE FRAME ENCLOSURE, GRAY
	MURBF416-199	(-BFEZS16) LEFT SIDE FRAME ENCLOSURE, S/S
11	MURBF407-199	(-BFEZG16) RIGHT SIDE FRAME ENCLOSURE, GRAY
	MURBF417-199	(-BFEZS16) RIGHT SIDE FRAME ENCLOSURE, S/S
12	MURBF505-199	(-BFC) FRAME CROSS BRACE
13	MURBF508-199	(-BFEZG) ACCESS PANEL, GRAY
	MURBF518-199	(-BFEZS) ACCESS PANEL, S/S
14	MURBF511-199	(-CBF) BOTTLE FILLER BASIN TOP

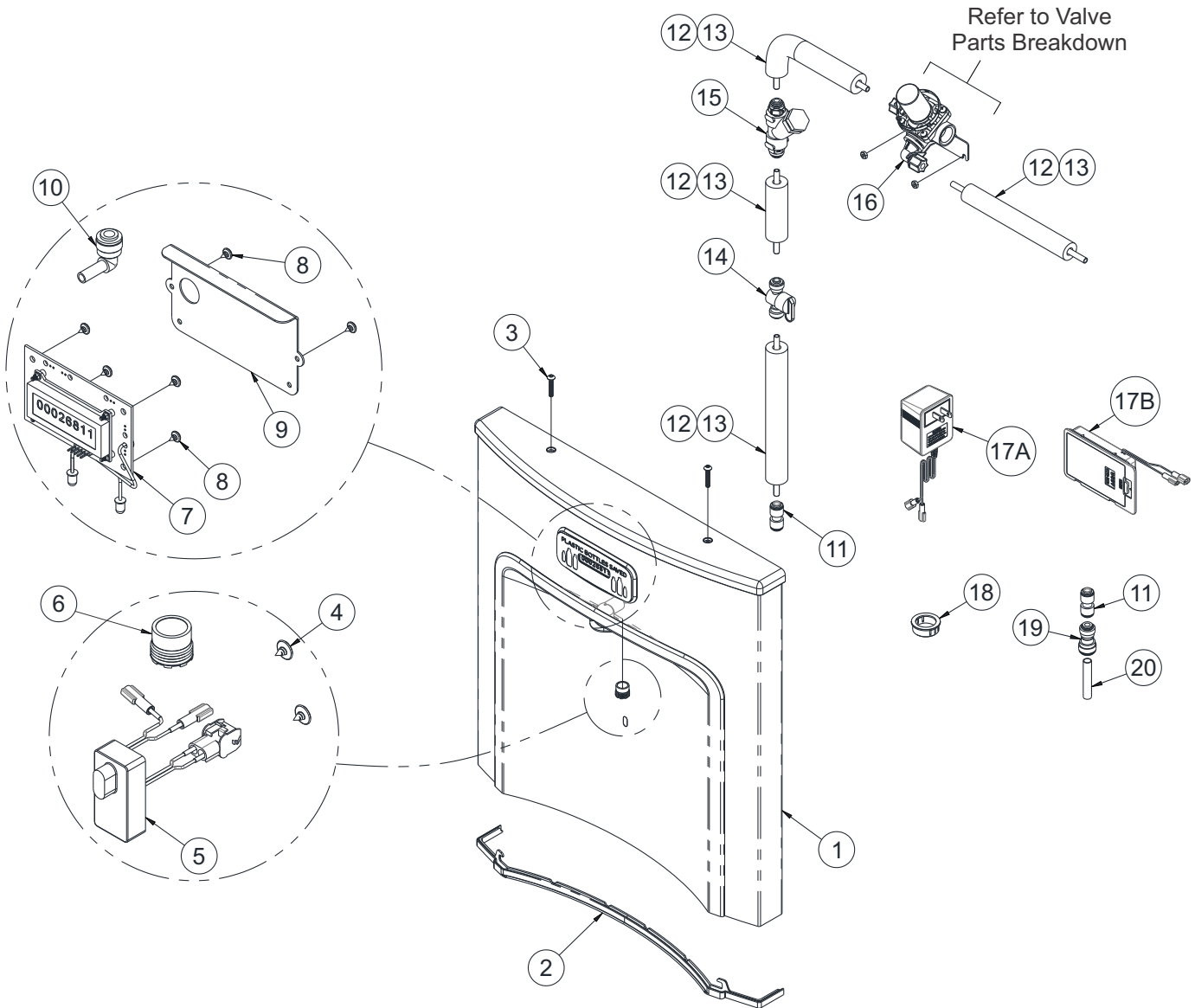
BFEZ168 PARTS BREAKDOWN



BFEZ168 PARTS BREAKDOWN (CONTINUED)

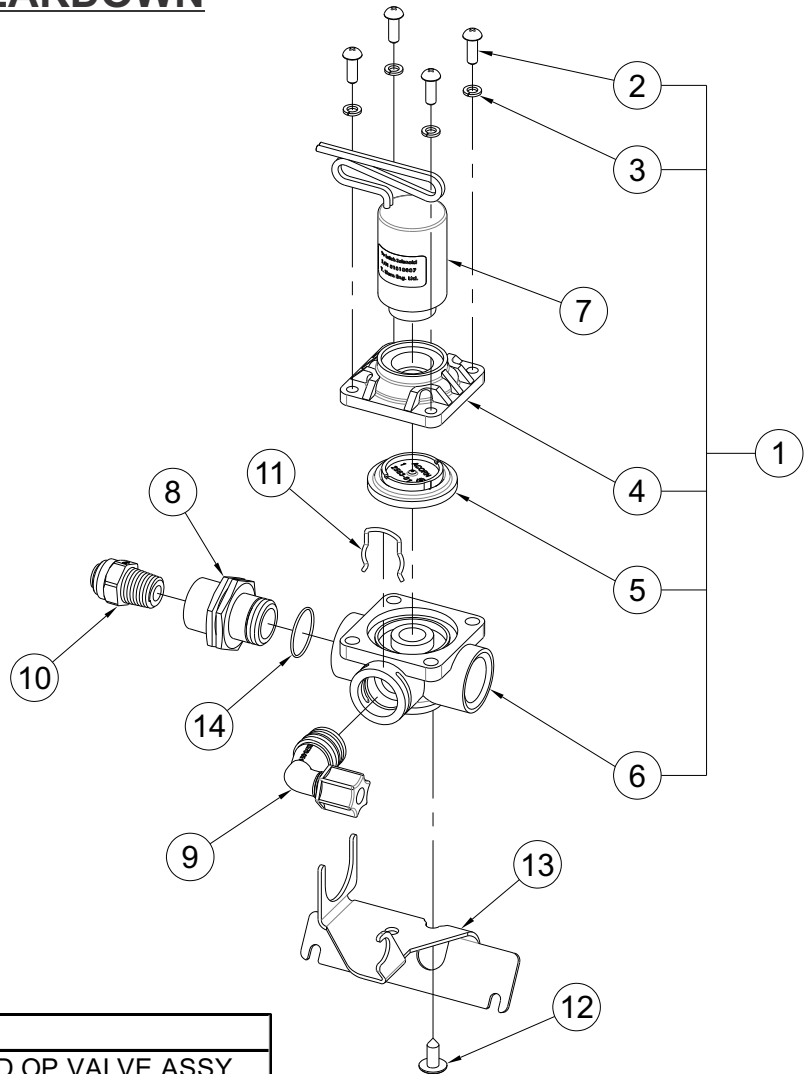
ITEM#	PART NUMBER	DESCRIPTION
1	0124-008-000	#8X3/4" TORX FLAT HEAD, S/S
2	0124-031-000	#8x3/8" HEX WASHER HD SCREW, ZINC, SLOTTED
3	0124-036-000	#8X1/2" SM SCREW, TORX HEAD, S/S
4	7000-006-000	DRAIN ADAPTER GASKET
5	7003-012-199	FAN SHROUD
6	7003-034-002	FILTER MOUNTING BRACKET ASSEMBLY, WF1 & WF3
7	7003-125-001	A17 EVAPORATOR TOP ASSEMBLY
8	7003-180-000	ACCESS DRAIN, SINGLE LEVEL
9	7003-900-004	HAND WASH FRAME ASSEMBLY
10	7003-940-002	A171.8 FAN MOTOR ASSEMBLY
11	7012-313-000	WF1 FILTER 1500 GALLON REPLACEMENT CARTRIDGE
12	7012-801-001	COMPRESSOR ASSEMBLY, W/ ACCESSORIES
13	7100-441-000	15/16 ID LOCKING GROMMET
14	MURBF506-199	(-BFEZG168) LEFT SIDE FRAME ENCLOSURE, GRAY
	MURBF516-199	(-BFEZS168) LEFT SIDE FRAME ENCLOSURE, S/S
15	MURBF507-199	(-BFEZG168) RIGHT SIDE FRAME ENCLOSURE, GRAY
	MURBF517-199	(-BFEZS168) RIGHT SIDE FRAME ENCLOSURE, S/S
16	MURBF505-199	(-BFC) FRAME CROSS BRACE
17	MURBF508-199	(-BFEZG) ACCESS PANEL, GRAY
	MURBF518-199	(-BFEZS) ACCESS PANEL, S/S
18	MURBF511-199	(-CBF) BOTTLE FILLER BASIN TOP

BFEZ16 BOTTLE FILLER PARTS BREAKDOWN



ITEM#	PART NUMBER	DESCRIPTION	ITEM#	PART NUMBER	DESCRIPTION
1	7014-254-001	HOUSING ASSEMBLY, BF12	12	2169-000-000	1/4" OD LLDPE TUBING -BLUE
2	7014-257-000	BOTTOM TRIM, H202GO	13	7012-055-000	FOAM PIPE INSULATION, 3/8" ID
3	0116-123-000	#10-32 x 1" BUTTON HEAD SCREW	14	7000-420-000	1/4 TURN, SHUT-OFF VALVE
4	0110-012-000	#6 x 3/16" TRUSS HEAD SCREW	15	7013-210-001	Y-STRAINER, BOTTLE FILLER
5	2563-381-001	SENSOR ASSEMBLY -CAPS-QDS	16	7014-293-001	9VDC SOLENOID VALVE ASSY
6	7013-119-000	NEOPERL LAMINAR FLOW NOZZLE	17A	0710-736-001	PLUG-IN TRANS, POWER SUPPLY
7	7016-111-001	BOTTLE COUNTER w/ CONNECTORS	17B	0710-361-001	AA 6-PACK BATTERY HOLDER ASSY
8	0110-011-001	#6 x 3/16" PAN HEAD SCREW	18	7100-441-000	LOCKING GROMMET, 1.188 DIA HOLE
9	7014-253-199	SPLASH GUARD, BCD	19	1895-123-000	1/4" OD x 3/8" OD TUBE, PUSH-IN
10	1895-709-000	ELBOW, 1/4" PUSH-IN x 1/4" STEM	20	7000-023-199	3/8" OD x 2" LONG, COPPER TUBE
11	1895-121-000	1/4" OD TUBE UNION -PUSH-IN			

BFEZ16 VALVE PARTS BREAKDOWN



ITEM #	PART NUMBER	DESCRIPTION
1	2570-140-001	9-12 VDC SOLENOID OP VALVE ASSY
2	6502-043-000	#8-32 UNC x 1/2" PHILLIPS SCREW
3	0331-003-000	#8 LOCKWASHERS
4	2570-061-000	SOLENOID BONNET
5	2563-010-001	WATER DIAPHRAGM ASSEMBLY
6	2570-027-000	VALVE BODY
7	2563-326-001	9VDC LATCHING SOLENOID ASSEMBLY
8	2800-114-599	1/4" INLET ADAPTER
9	2570-051-001	1/4" OD PLASTIC ELBOW ASSEMBLY
10	1895-125-000	1/4" OD x 1/4" NPT PUSH-IN FITTING
11	0326-100-000	RETAINING CLIP
12	0124-010-000	#10 X 1/2" PHILLIPS TRUSS HEAD
13	7014-293-199	BF11/12 VALVE MOUNTING BRACKET
14	0410-016-000	#16 O-RING, 5/8 x 3/4 x 1/16