

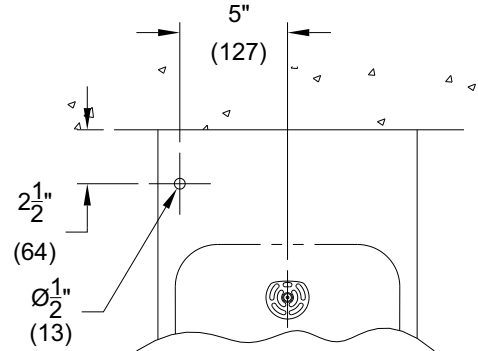
MODELS BF1SC & BF2SC

ROUGH-IN FOR THE FOLLOWING:

1. Remove drinking fountain access panel and shut off water supply, then actuate valve to relieve pressure.
2. Drill ½" dia. hole thru drinking fountain deck (where shown). Deburr hole and install grommet provided.

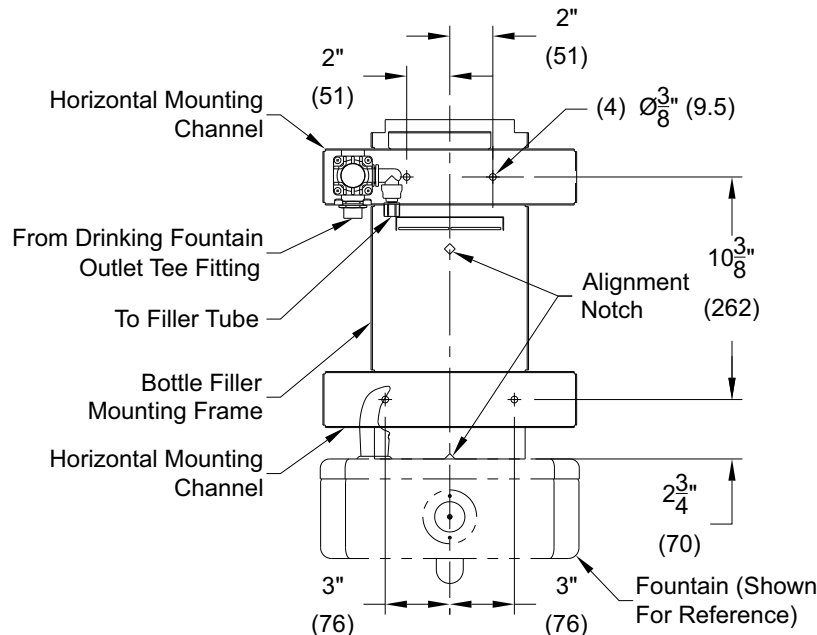
Drilling Notes:

- Wear approved safety glasses when drilling.
- Prior to drilling stainless steel, adhere masking tape over drilling area to protect finish and provide marking surface.
- Use a short, sharp high-speed drill bit and drill speed of 400-600 RPM; applying heavy pressure. Drill must cut at all times. DO NOT allow drill bit to ride, this will cause work hardening and will make it very difficult to drill or tap. Bibb washers, placed on drill shank will help to prevent marring the surface after the drill has broke through.



INSTALLATION INSTRUCTIONS:

3. Mark vertical (plumb) center line on the wall, at the center of the drinking cooler deck.
4. Carefully disassemble bottle filler. Remove the top, frame, horizontal mounting channels, and disconnect the PE tubing from the filler tube.
5. Use the frame as template, align notches in the frame with the vertical center line, and with the frame sitting on the deck
NOTE: FOUNTAIN SHOULD BE LEVEL.
6. Mark four mounting holes.
7. Install the four wall anchors (by others).
8. Align mounting frame and horizontal mounting channels to the anchors (as shown) and attach to wall with mounting fasteners (by others).



Murdock™ assumes no responsibility for use of void or superseded data. © Copyright Murdock Mfg., City of Industry, CA Member of Morris Group International. Please visit www.murdockmfg.com for most current specifications.

COMPLIES WITH
STANDARDS



INSTALLATION INSTRUCTIONS Cont'd:

9. See below for piping detail.
10. To reassemble housing to mounting frame assembly, engage the left side of the housing behind the horizontal mounting channels, then stretch the housing over the right end of the horizontal mounting channels, make sure that the rubber trim on the housing is touching the fountain deck. Secure the housing to the top channel, with #10-32 truss head screws provided.
11. Reassemble and install top with #8-32 truss head screws provided.
12. Turn on the water supply stop, test unit and check for leaks, then reinstall access panel.

