



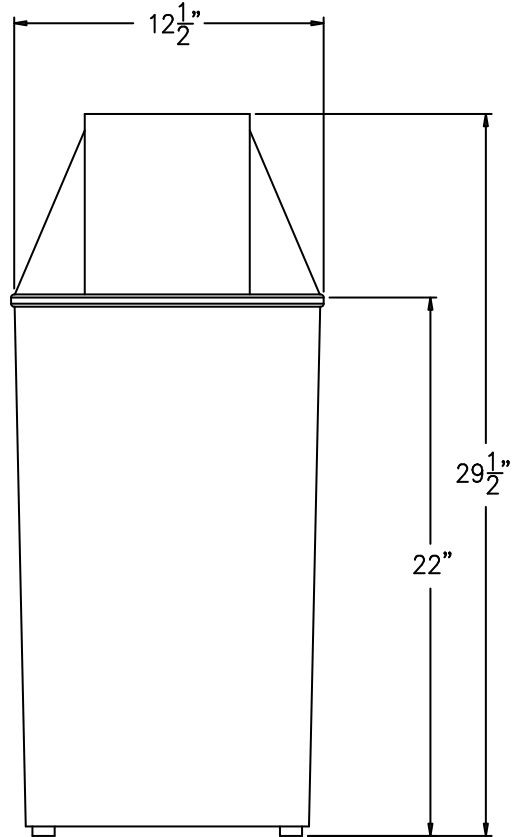
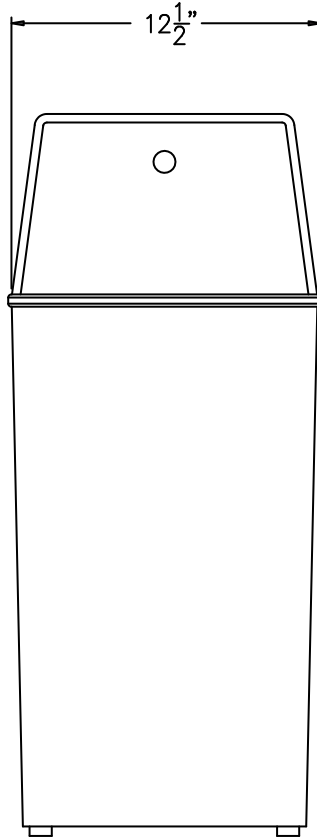
RESTROOM ACCESSORIES

**MURDOCK-
SUPER
SECUR
FACILITIES
ACCESSORIES**

**MODEL #
1179**

**WASTE
RECEPTACLE**

1179



TECHNICAL DATA:

1179 waste receptacle is stainless steel construction with vinyl bumper strip and rubber feet. Stainless steel cover has two hinged self-closing doors. Vinyl liners are available.

Additional data on restroom accessories is available.

MODEL NUMBER:

1179 13 Gallon Waste Receptacle

WARNING: Cancer and Reproductive Harm - www.P65Warnings.ca.gov

**SELECTION SUMMARY
& APPROVAL FOR
MANUFACTURING**

Model Number & Options _____ Quantity _____

Company _____

Contact _____ Title _____

Signature _____ Date _____
(Approval for Manufacturing)

All dimensions are nominal and subject to change without notice. Murdock-Super Secur assumes no responsibility for use of void or superseded data. Murdock Mfg.™, Member of Morris Group International™. Please visit www.murdockmfg.com for most current specifications.