



RESTROOM ACCESSORIES

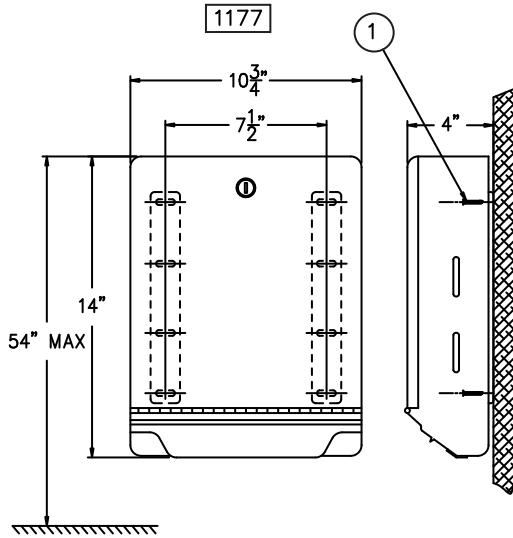
1177

**MURDOCK-
SUPER
SECUR
RESTROOM
ACCESSORIES**

**MODEL #
1177-1178**

**RESTROOM
ACCESSORIES**

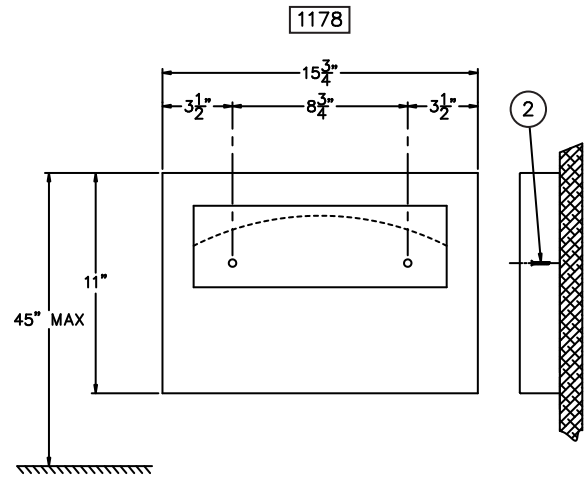
ITEM	DESCRIPTION	QTY
1	MOUNTING SCREWS	4
2	MOUNTING SCREWS	2



NOTE:
MOUNTING HARDWARE IS NOT
FURNISHED WITH MODEL 1177.



Note: Fixture may show some available options



TECHNICAL DATA:

1177 towel dispenser is stainless steel construction with a locked hinged stainless steel door. Unit dispenses C-fold and multifold paper towels. Slots in sides of cabinet indicate refill time.

1178 toilet-seat-cover dispenser is stainless steel construction. Unit dispenses single or half-fold paper toilet seat covers. Dispenser fills from bottom through concealed opening. Capacity is 250 toilet seat covers.

MODEL NUMBER:

- 1177 Surface Mounted Towel Dispenser
- 1178 Surface Mounted Toilet-Seat-Cover Dispenser

Additional data on these restroom accessories is available.

WARNING: Cancer and Reproductive Harm - www.P65Warnings.ca.gov

**SELECTION SUMMARY
& APPROVAL FOR
MANUFACTURING**

Model Number & Options _____ Quantity _____

Company _____

Contact _____ Title _____

Signature _____
(Approval for Manufacturing)

Date _____

All dimensions are nominal and subject to change without notice. Murdock-Super Secur assumes no responsibility for use of void or superseded data. Murdock Mfg.™, Member of Morris Group International™. Please visit www.murdockmfg.com for most current specifications.