



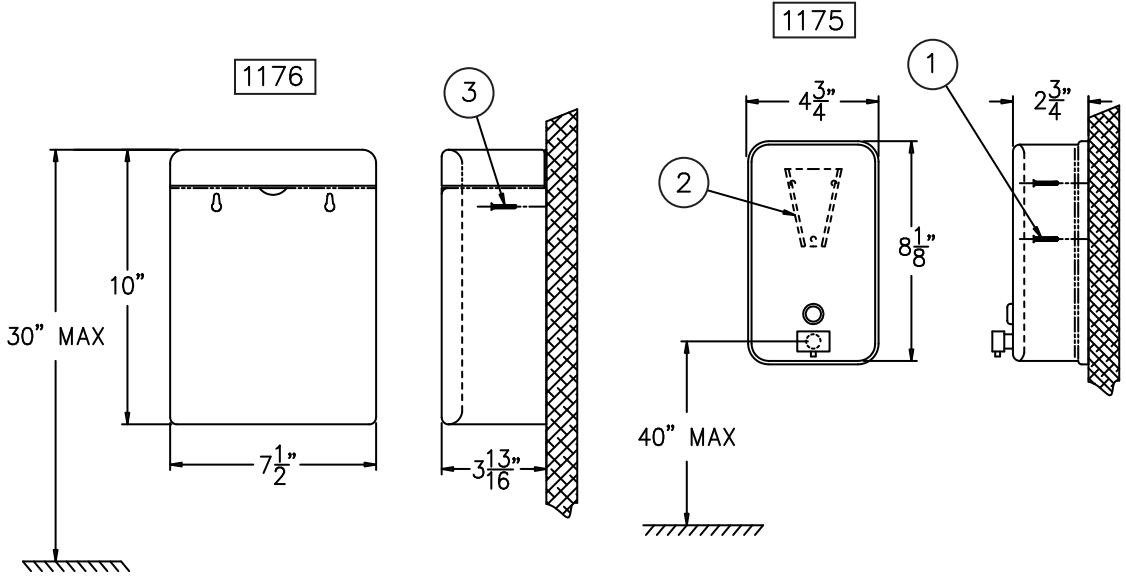
RESTROOM ACCESSORIES

MURDOCK-SUPER SECUR RESTROOM ACCESSORIES

MODEL #
1175 - 1176

RESTROOM ACCESSORIES

ITEM	DESCRIPTION	QTY
1	MOUNTING SCREWS	3
2	CONCEALED MOUNTING PLATE	1
3	MOUNTING SCREWS	2



NOTE:
MOUNTING HARDWARE IS NOT FURNISHED WITH MODEL 1176.

TECHNICAL DATA:

1175 soap dispenser is stainless steel construction with unbreakable clear acrylic refill indicator window, a locked hinged stainless steel lid for top filling and a mounting plate with screws. Dispenser has a black plastic push button and spout. Capacity is 40 fl oz.

1176 sanitary napkin disposal is stainless steel construction with a hinged stainless steel cover. Disposable paper liners are available.

MODEL NUMBER:

- 1175 Surface Mounted Soap Dispenser
- 1176 Sanitary Napkin Disposal

Additional data on these restroom accessories is available.

WARNING: Cancer and Reproductive Harm - www.P65Warnings.ca.gov

SELECTION SUMMARY & APPROVAL FOR MANUFACTURING	Model Number & Options _____	Quantity _____	All dimensions are nominal and subject to change without notice. Murdock-Super Secur assumes no responsibility for use of void or superseded data. Murdock Mfg.™, Member of Morris Group International™. Please visit www.murdockmfg.com for most current specifications.
	Company _____		
	Contact _____	Title _____	
	Signature (Approval for Manufacturing) _____	Date _____	