



RESTROOM ACCESSORIES

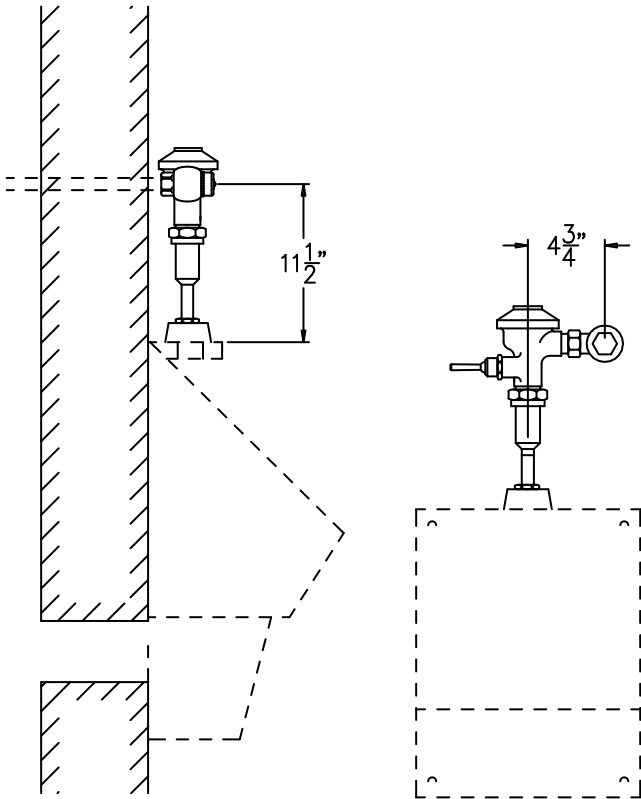
1153

**MURDOCK-
SUPER
SECUR
RESTROOM
ACCESSORIES**

**MODEL #
1153**

**EXPOSED
URINAL
FLUSH
VALVE**

1153



Note: Fixture may show some available options

TECHNICAL DATA:

1153 exposed urinal flush valve has a code-approved vacuum breaker and a non-hold-open handle. Construction is bronze with chrome plated exposed parts. Check stop has a 3/4" inlet. Tailpiece is 3/4" diameter. Lever handle requires less than 5 pounds force to activate and meets ADA requirements.

Urinal flush valve requires a 35 PSI flow pressure and typically requires a 1-1/4" minimum water supply line to restroom.

-ULF flush valve has a 1.0 gallon flush in place of the standard 1.5 gallon flush.

MODEL NUMBER:

1153 Urinal Flush Valve

PRODUCT OPTIONS:

-ULF 1.0 Gallon Flush

WARNING: Cancer and Reproductive Harm - www.P65Warnings.ca.gov

**SELECTION SUMMARY
& APPROVAL FOR
MANUFACTURING**

Model Number & Options _____ Quantity _____

Company _____

Contact _____ Title _____

Signature _____ Date _____
(Approval for Manufacturing)

All dimensions are nominal and subject to change without notice. Murdock-Super Secur assumes no responsibility for use of void or superseded data. Murdock Mfg.™, Member of Morris Group International™. Please visit www.murdockmfg.com for most current specifications.