



# RESTROOM ACCESSORIES

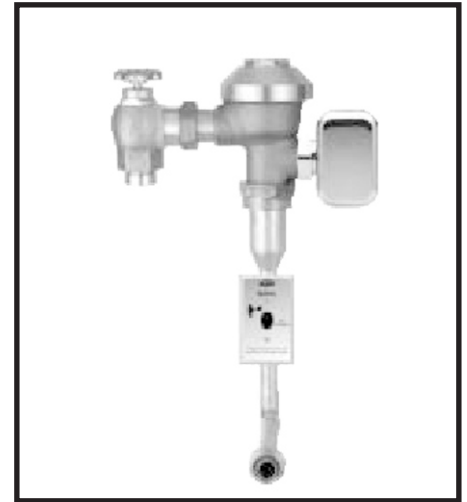
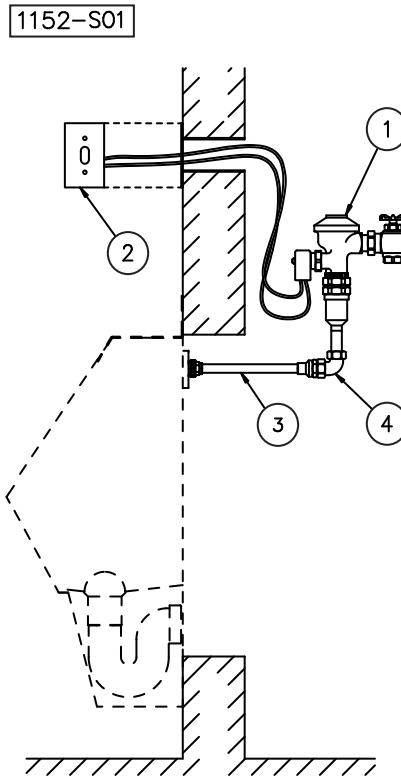
1152-SO1

**MURDOCK-  
SUPER  
SECUR  
RESTROOM  
ACCESSORIES**

**MODEL #  
1152-SO1**

**CONCEALED  
URINAL  
FLUSH  
VALVE WITH  
SENSOR  
OPERATION**

| ITEM | DESCRIPTION                    | QTY |
|------|--------------------------------|-----|
| 1    | FLUSH VALVE                    | 1   |
| 2    | INFRARED SENSOR                | 1   |
| 3    | THRU WALL SUPPLY ASSY          | 1   |
| 4    | TAILPIECE WITH SLIP JOINT NUTS | 1   |



Note: Fixture may show some available options

**NOTE:**  
CUT PART #3 TO FIT &  
SOLDER TOGETHER IN FIELD.

**TECHNICAL DATA:**

**1152-SO1** concealed urinal flush valve has a code-approved vacuum breaker. Construction is bronze. Flush valve has a wall-mounted infrared sensor for operation. Sensor is powered by an optional transformer in the plumbing chase. Sensor operation meets ADA requirements. Check stop has a 3/4" inlet. Tailpiece is 3/4" diameter.

**Urinal flush valve** requires a 35 PSI flow pressure and typically requires a 1-1/4" minimum water supply line to restroom.

**-ULF** flush valve has a 1.0 gallon flush in place of the standard 1.5 gallon flush.

**MODEL NUMBER:**

- 1152-SO1 Urinal Flush Valve with Sensor Operation

**PRODUCT OPTIONS:**

- ULF 1.0 Gallon Flush
- Transformer

**WARNING:** Cancer and Reproductive Harm - [www.P65Warnings.ca.gov](http://www.P65Warnings.ca.gov)

**SELECTION SUMMARY  
& APPROVAL FOR  
MANUFACTURING**

Model Number & Options \_\_\_\_\_ Quantity \_\_\_\_\_

Company \_\_\_\_\_

Contact \_\_\_\_\_ Title \_\_\_\_\_

Signature \_\_\_\_\_ Date \_\_\_\_\_  
(Approval for Manufacturing)

*All dimensions are nominal and subject to change without notice. Murdock-Super Secur assumes no responsibility for use of void or superseded data. Murdock Mfg.™, Member of Morris Group International™. Please visit [www.murdockmfg.com](http://www.murdockmfg.com) for most current specifications.*