



RESTROOM ACCESSORIES

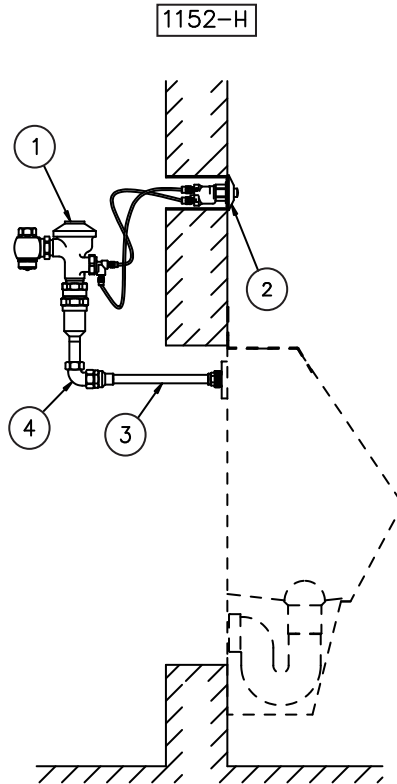
1152-H

MURDOCK-SUPER SECUR RESTROOM ACCESSORIES

MODEL #
1152-H

CONCEALED URINAL FLUSH VALVE WITH HYDRAULIC PUSH BUTTON

ITEM	DESCRIPTION	QTY
1	FLUSH VALVE	1
2	HYDRAULIC PUSHBUTTON	1
3	THRU WALL SUPPLY ASSY	1
4	TAILPIECE WITH SLIP JOINT NUTS	1



Note: Fixture may show some available options

NOTE:
CUT PART #3 TO FIT &
SOLDER TOGETHER IN FIELD.

TECHNICAL DATA:

1152-H concealed urinal flush valve has a code-approved vacuum breaker. Construction is bronze with chrome plated exposed parts. Hydraulic pushbutton requires less than 5 pounds force to activate and meets ADA requirements. Check stop has a 3/4" inlet. Tailpiece is 3/4" diameter.

Urinal flush valve requires a 35 PSI flow pressure and typically requires a 1-1/4" minimum water supply line to restroom.

-ULF flush valve has a 1.0 gallon flush in place of the standard 1.5 gallon flush.

MODEL NUMBER:

- 1152-H Urinal Flush Valve with Hydraulic Push Button

PRODUCT OPTIONS:

- ULF 1.0 Gallon Flush

WARNING: Cancer and Reproductive Harm - www.P65Warnings.ca.gov

SELECTION SUMMARY & APPROVAL FOR MANUFACTURING

Model Number & Options _____ Quantity _____

Company _____

Contact _____ Title _____

Signature (Approval for Manufacturing) _____ Date _____

All dimensions are nominal and subject to change without notice. Murdock-Super Secur assumes no responsibility for use of void or superseded data. Murdock Mfg.™, Member of Morris Group International™. Please visit www.murdockmfg.com for most current specifications.