



RESTROOM ACCESSORIES

1147

**MURDOCK-
SUPER
SECUR
RESTROOM
ACCESSORIES**

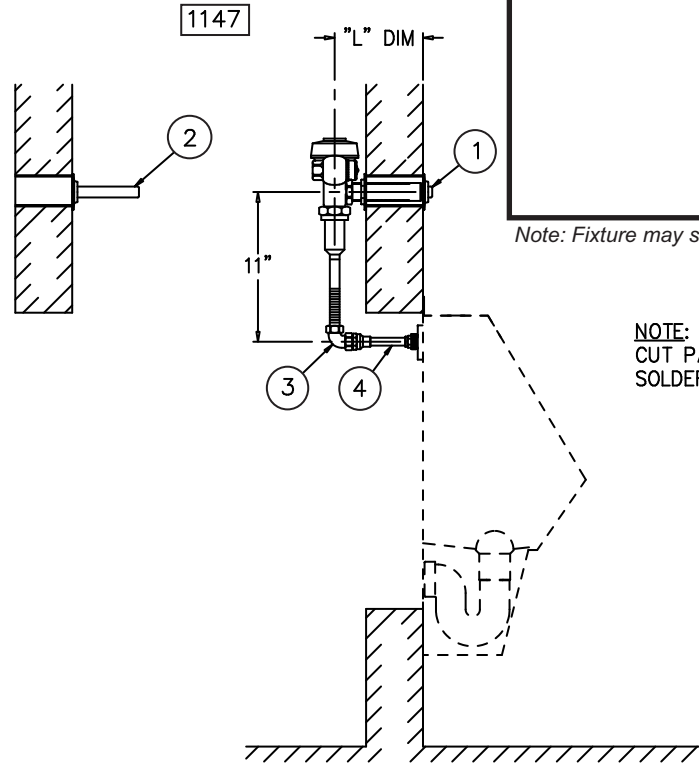
**MODEL #
1147 SERIES**

**CONCEALED
URINAL
FLUSH
VALVE**

ITEM	DESCRIPTION	QTY
1	PUSHBUTTON	1
2	OPTIONAL WALL SUPPLY LEVER HANDLE (-L)	1
3	TAILPIECE WITH SLIP JOINT NUTS	1
4	THRU-WALL SUPPLY ASSEMBLY	1



Note: Fixture may show some available options



NOTE:
CUT PART #4 TO FIT &
SOLDER TOGETHER IN FIELD.

TECHNICAL DATA:

1147 concealed Urinal Flush Valve has a code-approved vacuum breaker and a non-hold-open Pushbutton or Handle. Construction is bronze with chrome plated exposed parts. Check Stop has a 3/4" inlet. Tailpiece is 3/4" diameter for Washdown urinal.

Urinal Flush Valve has a flush volume of 1.5 (not available in California) and requires a 35 PSI flow pressure. Requires a 1-1/4" minimum water supply line to restroom.

-L optional lever handle requires less than 5 pounds force to activate. Lever handle meets ADA requirements.

MODEL NUMBER:

- 1147-6 Urinal Flush Valve with 8-3/4" "L" dimension (for walls up to 6" thick)
- 1147-9 Urinal Flush Valve with 11-3/4" "L" dimension (for walls up to 9" thick)

PRODUCT OPTIONS:

- L with Lever Handle
- HEU 0.125 Gallon Flush
- ULF 1.0 Gallon Flush (Not Available in California)

⚠ WARNING: Cancer and Reproductive Harm - www.P65Warnings.ca.gov

SELECTION SUMMARY & APPROVAL FOR MANUFACTURING

Model Number & Options _____ Quantity _____

Company _____

Contact _____ Title _____

Signature (Approval for Manufacturing) _____ Date _____

All dimensions are nominal and subject to change without notice. Murdock-Super Secur assumes no responsibility for use of void or superseded data. Murdock Mfg.™, Member of Morris Group International™. Please visit www.murdockmfg.com for most current specifications.