



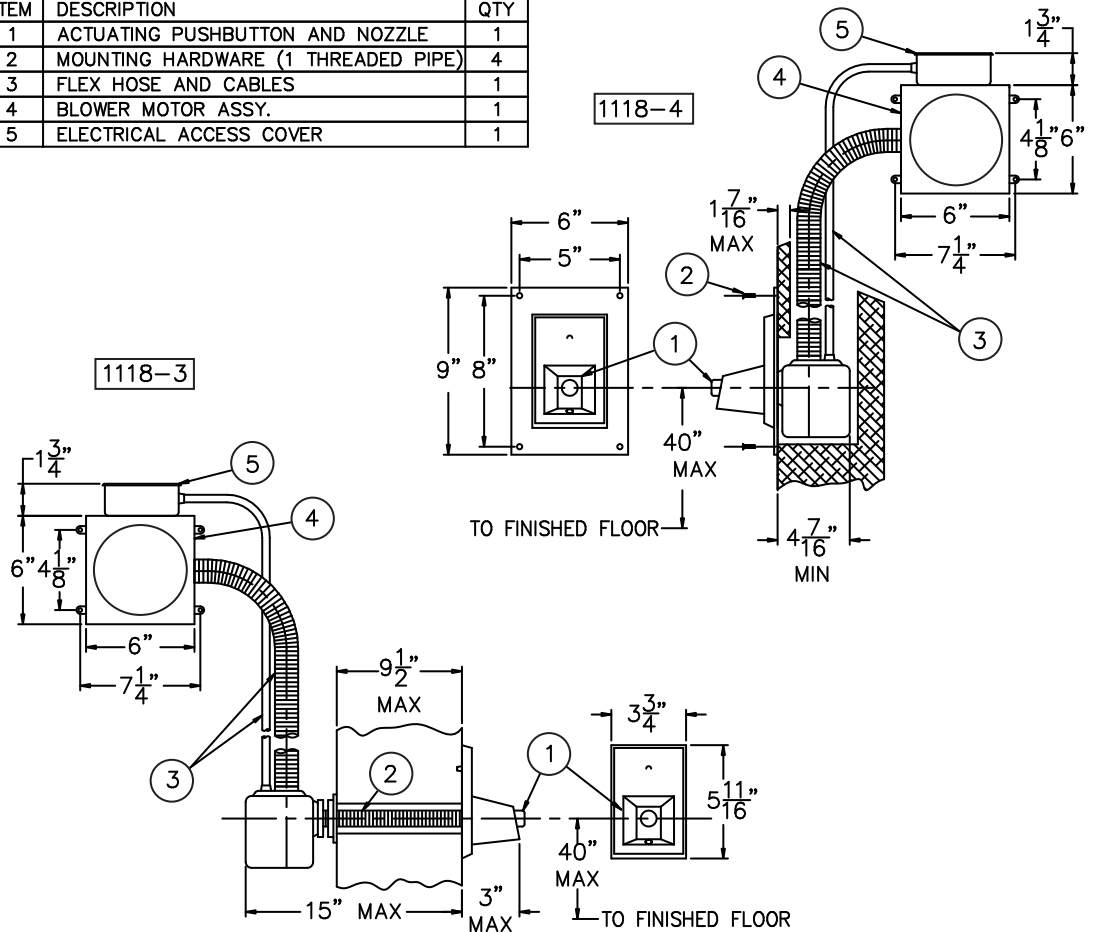
RESTROOM ACCESSORIES

MURDOCK-SUPER SECUR RESTROOM ACCESSORIES

MODEL #
1118 SERIES

HAND DRYER

ITEM	DESCRIPTION	QTY
1	ACTUATING PUSHBUTTON AND NOZZLE	1
2	MOUNTING HARDWARE (1 THREADED PIPE)	4
3	FLEX HOSE AND CABLES	1
4	BLOWER MOTOR ASSY.	1
5	ELECTRICAL ACCESS COVER	1



TECHNICAL DATA:

1118-3 semi-recessed electric hand dryer is Fastaire model HD-03. Vandal-resistant epoxy-coated cast aluminum nozzle with start button is in the restroom. Pushrod assembly will install in walls up to 9-1/2" thick. Switch box is mounted on pushrod assembly in plumbing chase. Blower unit and air duct are also mounted in plumbing chase.

1118-4 is Fastaire model HD-04 and is similar to HD-03 but without pushrod assembly. Nozzle may be mounted from restroom side of wall.

High velocity air flow is timed for 30 seconds and dries hands without heating coils.

Hand dryer is listed by Underwriters Laboratories, Inc. Electrical characteristics are 120 Volts AC, 7 Amps, 60 Hz.

Dryer must be mounted with push button at a maximum of 40" above floor to comply with requirements of ADA.

Fastaire provides a 3 year warranty.

MODEL NUMBER:

- 1118-3 Electric Hand Dryer, Semi-Recessed
- 1118-4 Electric Hand Dryer, Semi-Recessed

WARNING: Cancer and Reproductive Harm - www.P65Warnings.ca.gov

SELECTION SUMMARY & APPROVAL FOR MANUFACTURING

Model Number & Options _____ Quantity _____

Company _____

Contact _____ Title _____

Signature (Approval for Manufacturing) _____ Date _____

All dimensions are nominal and subject to change without notice. Murdock-Super Secur assumes no responsibility for use of void or superseded data. Murdock Mfg.™, Member of Morris Group International™. Please visit www.murdockmfg.com for most current specifications.