



RESTROOM ACCESSORIES

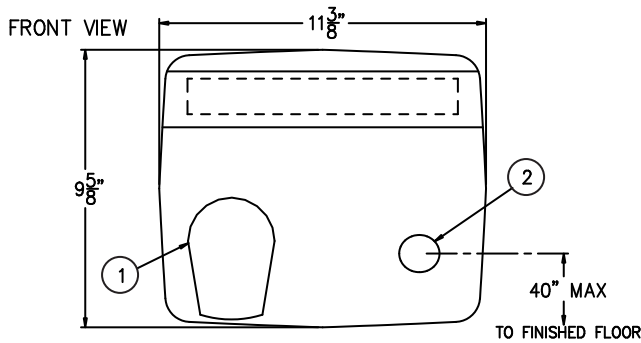
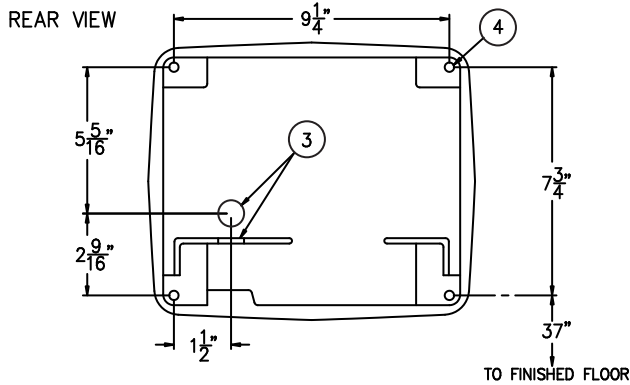
1117

**MURDOCK-
SUPER
SECUR
RESTROOM
ACCESSORIES**

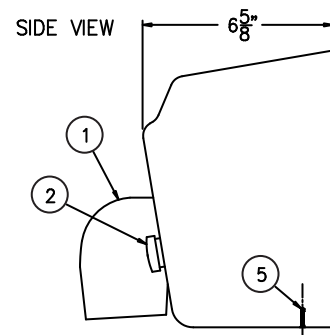
**MODEL #
1117**

HAND DRYER

ITEM	DESCRIPTION	QTY
1	CHROME-PLATED FIXED NOZZLE	1
2	CHROME-PLATED PUSHBUTTON	1
3	7/8" WIRING HOLES	2
4	MOUNTING SCREWS (BY OTHERS)	4
5	TAMPER-RESISTANT COVER SCREWS	2



Note: Product may show some available options



TECHNICAL DATA:

1117 surface-mounted electric hand dryer is World Dryer model A5. Cover of dryer is 1/4" thick cast iron with a white porcelain enamel finish. It is fitted with a fixed nozzle and has a push button operated drying cycle of 30 seconds.

Hand dryer is listed by Underwriters Laboratories, Inc. Hand dryers require a dedicated electrical circuit. Electrical characteristics are 115 Volts AC, 20 Amps, 2300 Watts, 60 Hz.

Dryer must be mounted with push button at a maximum of 40" above floor to comply with requirements of ADA.

World Dryer provides a 10 year limited parts warranty.

MODEL NUMBER:

1117 Electric Hand Dryer

WARNING: Cancer and Reproductive Harm - www.P65Warnings.ca.gov

**SELECTION SUMMARY
& APPROVAL FOR
MANUFACTURING**

Model Number & Options _____ Quantity _____

Company _____

Contact _____ Title _____

Signature (Approval for Manufacturing) _____ Date _____

All dimensions are nominal and subject to change without notice. Murdock-Super Secur assumes no responsibility for use of void or superseded data. Murdock Mfg.™, Member of Morris Group International™. Please visit www.murdockmfg.com for most current specifications.