



RESTROOM ACCESSORIES

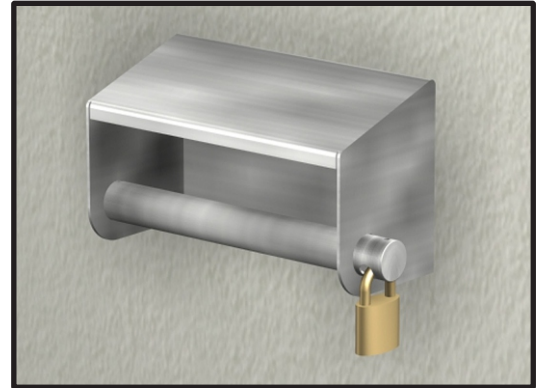
1113-PL

MURDOCK-SUPER SECUR RESTROOM ACCESSORIES

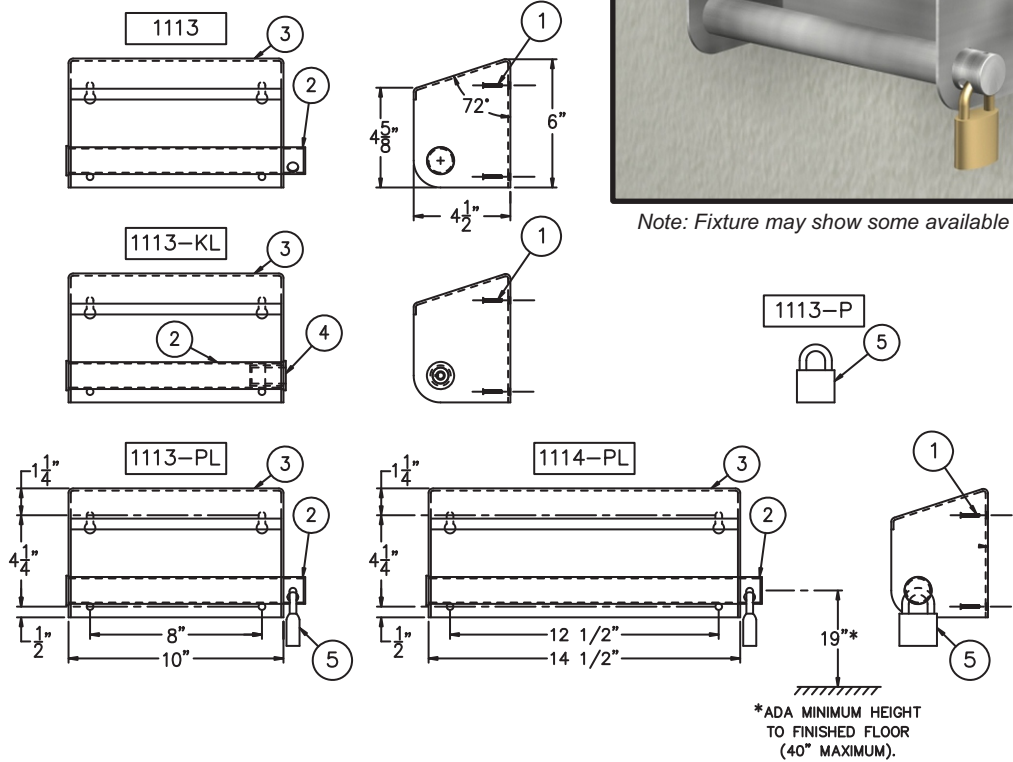
MODEL #
1113 - 1114
SERIES

TISSUE
DISPENSERS

ITEM	DESCRIPTION	QTY
1	MOUNTING SCREWS	4
2	AXLE ASSEMBLY	1
3	DISPENSER HOUSING	1
4	KEY LOCK ASSEMBLY	1
5	BRASS PADLOCK	1



Note: Fixture may show some available options



*ADA MINIMUM HEIGHT TO FINISHED FLOOR (40" MAXIMUM).

TECHNICAL DATA:

1113 surface-mounted dispenser is fabricated from extra heavy gage stainless steel. Welds are ground smooth and the exterior has a satin finish. It will accept two rolls of tissue up to 6 inches in diameter with standard size cores. It is designed for areas subject to severe vandalism. Dispenser meets requirements of ADA when mounted in the correct location. Axle has a sand blast finish to reduce roll spinning. Mounting screws are provided.

1113-KL dispenser has a vandal-resistant cylinder lock, which secures an end cap on the axle. All cylinder locks are keyed alike.

1113-PL dispenser has a heavy-duty solid brass padlock to secure the axle. All padlocks are keyed alike.

1114 series dispensers are the same as the 1113 series except that they have a capacity of three standard rolls of tissue.

MODEL NUMBER:

- 1113 2-Roll Tissue Dispenser, Less Padlock
- 1113-KL 2-Roll Tissue Dispenser, with Key Lock
- 1113-P Brass Padlock Only for Dispenser
- 1113-PL 2-Roll Tissue Dispenser, with Padlock
- 1114 3-Roll Tissue Dispenser, Less Padlock
- 1114-KL 3-Roll Tissue Dispenser, with Key Lock
- 1114-PL 3-Roll Tissue Dispenser, with Padlock

WARNING: Cancer and Reproductive Harm - www.P65Warnings.ca.gov

SELECTION SUMMARY & APPROVAL FOR MANUFACTURING

Model Number & Options _____ Quantity _____

Company _____

Contact _____ Title _____

Signature (Approval for Manufacturing) _____ Date _____

All dimensions are nominal and subject to change without notice. Murdock-Super Secur assumes no responsibility for use of void or superseded data. Murdock Mfg.™, Member of Morris Group International™. Please visit www.murdockmfg.com for most current specifications.