



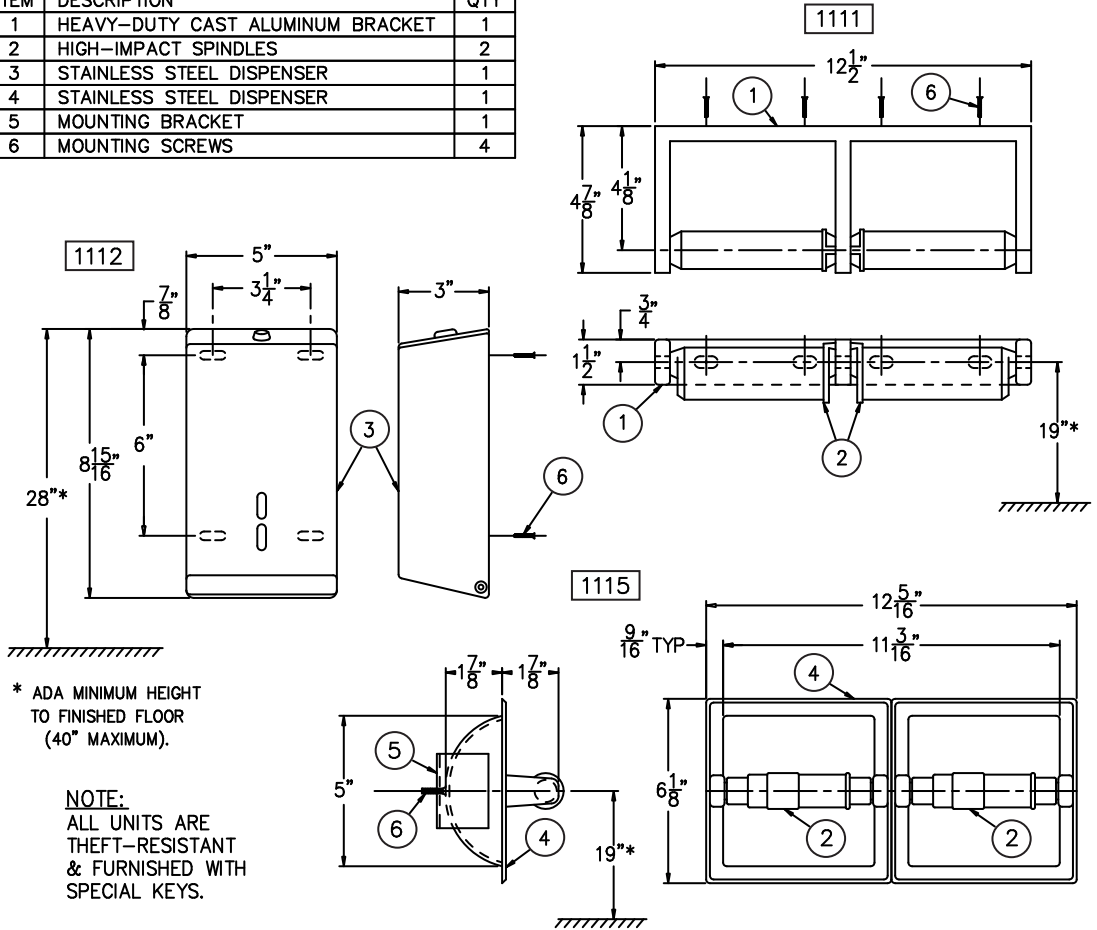
RESTROOM ACCESSORIES

MURDOCK-SUPER SECUR RESTROOM ACCESSORIES

MODEL #
1111 SERIES

TISSUE DISPENSERS

ITEM	DESCRIPTION	QTY
1	HEAVY-DUTY CAST ALUMINUM BRACKET	1
2	HIGH-IMPACT SPINDLES	2
3	STAINLESS STEEL DISPENSER	1
4	STAINLESS STEEL DISPENSER	1
5	MOUNTING BRACKET	1
6	MOUNTING SCREWS	4



* ADA MINIMUM HEIGHT TO FINISHED FLOOR (40" MAXIMUM).

NOTE:
ALL UNITS ARE THEFT-RESISTANT & FURNISHED WITH SPECIAL KEYS.

TECHNICAL DATA:

1111 surface-mounted dispenser is constructed of cast aluminum with satin finish. Molded ABS spindles have concealed locking mechanism operated with special key. Dispenser accommodates two standard-core toilet tissue rolls up to 6" diameter and allows continuous paper flow.

1112 surface-mounted dispenser is constructed of stainless steel with satin finish. Cover has a tumbler lock and key. Dispenser accommodates single or doublefold toilet tissue.

1115 semi-recessed dispenser is constructed of stainless steel with satin finish. Molded spindles are removable only with special key. Dispenser accommodates two standard-core toilet tissue rolls up to 6" diameter and allows continuous paper flow.

MODEL NUMBER:

- 1111 Tissue Dispenser, Two-Roll
- 1112 Tissue Dispenser, Folded
- 1115 Tissue Dispenser, Semi-Recessed

WARNING: Cancer and Reproductive Harm - www.P65Warnings.ca.gov

SELECTION SUMMARY & APPROVAL FOR MANUFACTURING

Model Number & Options _____ Quantity _____

Company _____

Contact _____ Title _____

Signature (Approval for Manufacturing) _____ Date _____

All dimensions are nominal and subject to change without notice. Murdock-Super Secur assumes no responsibility for use of void or superseded data. Murdock Mfg.™, Member of Morris Group International™. Please visit www.murdockmfg.com for most current specifications.