



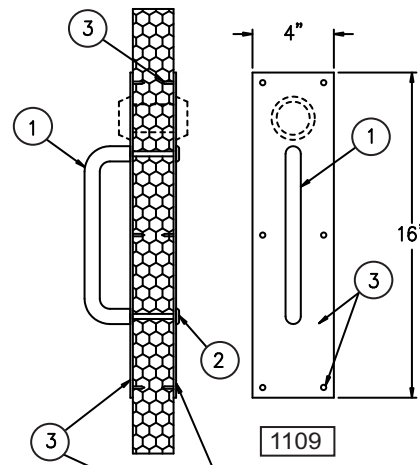
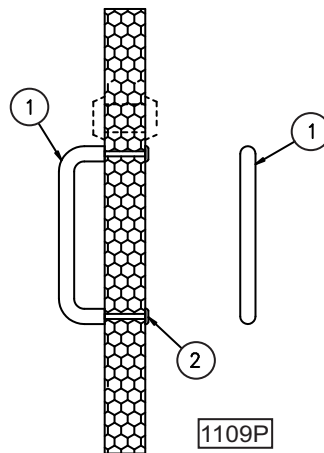
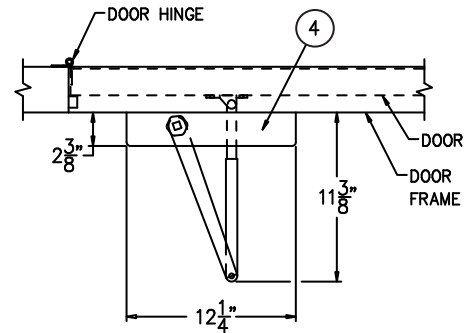
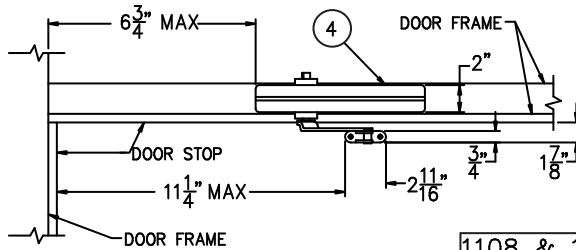
RESTROOM ACCESSORIES

**MURDOCK-
SUPER
SECUR
FACILITIES
ACCESSORIES**

**MODEL #
1108-1109**

**DOOR
HARDWARE**

ITEM	DESCRIPTION	QTY
1	8" DOOR PULL	1
2	1/4" MOUNTING SCREWS & WASHERS	2
3	PUSH/PULL PLATES W/SIX SCREWS	1
4	CLOSER W/MOUNTING SCREWS	1



TECHNICAL DATA:

1108 Door Closer is LCN model 1460 and is non-handed. Closer meets ADA requirements when adjusted to 8.5 lb maximum force to open the door. Closer is mounted on the top jamb of door frame on the push side. Finish is powder coated aluminum.

1108A Door Closer is LCN model 1461 and is non-handed. Closer meets ADA requirements when adjusted to 5.0 lb maximum force to open the door. Closer is mounted on the top jamb of door frame on the push side. Finish is powder coated aluminum.

Push/Pull Plate Set is used on entrance doors with deadbolt locks. The deadbolt lock, which is not used by the public, is installed thru holes punched in tops of plates. Set is fabricated from stainless steel with a satin finish and includes push plate, pull plate, 8" handle and mounting screws.

Pull Handle will meet ADA requirements when deadbolt lock is mounted at standard height of 40" above floor and handle is installed below lock as shown. Pull handle only is used for chase-storage doors that have deadbolt locks not used by the public.

MODEL NUMBER:

- 1108 Door Closer for Exterior Doors
- 1108A Door Closer for Exterior Doors
- 1109 Push/Pull Plate Set with Handle
- 1109P Pull Handle Only

WARNING: Cancer and Reproductive Harm - www.P65Warnings.ca.gov

**SELECTION SUMMARY
& APPROVAL FOR
MANUFACTURING**

Model Number & Options _____ Quantity _____

Company _____

Contact _____ Title _____

Signature _____ Date _____
(Approval for Manufacturing)

All dimensions are nominal and subject to change without notice. Murdock-Super Secur assumes no responsibility for use of void or superseded data. Murdock Mfg.™, Member of Morris Group International™. Please visit www.murdockmfg.com for most current specifications.