



# RESTROOM ACCESSORIES

1104

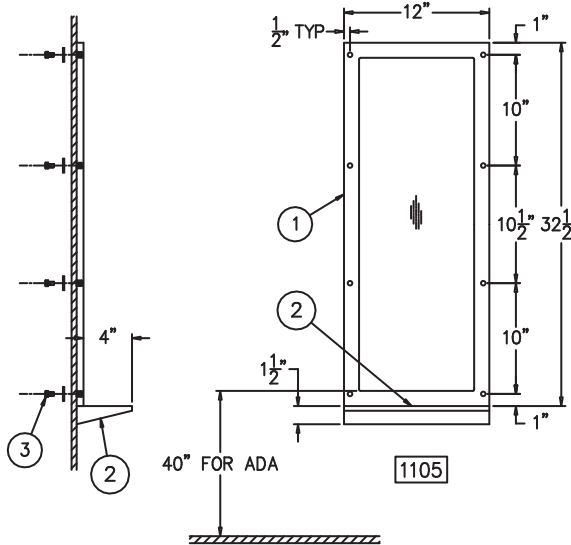
## MURDOCK-SUPER SECUR RESTROOM ACCESSORIES

MODEL #  
1104-1105

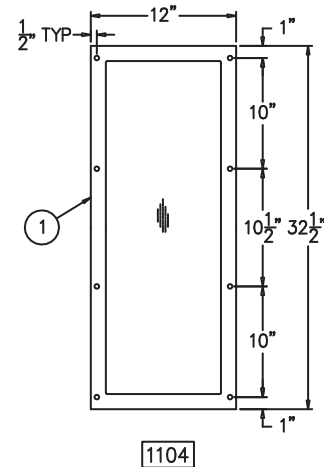
MIRRORS

ITEM	DESCRIPTION	QTY
1	STN STL MIRROR AND FRAME	1
2	STN STL SHELF ON MODEL 1105	1
3	MOUNTING HARDWARE FOR REAR MOUNT	1

REAR MOUNTED  
(1105 SHOWN)



Note: Fixture may show some available options



### TECHNICAL DATA:

**1104 Mirror** is designed to be installed on a finished wall and mounted from an accessible pipe chase. Mirror frame is fabricated from 14 gage, type 304 satin finish stainless steel and is seamless welded construction. Rear of frame is provided with welded anchor nuts.

**1105 Mirror with Shelf** is same as model 1104 with an integral 14 gage, type 304 satin finish stainless steel shelf.

**Mirror** surface is type 300 stainless steel polished to a mirror finish and is reinforced with a 1/2" thick fiberboard backing.

**Regularly furnished items** include mirror with frame and mounting screws and washers.

**Optional -FM** mirror is front-mounted. Mirror frame has countersunk screw holes and is furnished with 1/4" tamper-resistant mounting screws.

### MODEL NUMBER:

- 1104 12" x 32-1/2" Stainless Steel Mirror
- 1105 12" x 32-1/2" Stainless Steel Mirror with Shelf

### PRODUCT OPTIONS:

- EG Enviro-Glaze Frame (for color selection see filer)
- FM Front Mounted Frame

**WARNING:** Cancer and Reproductive Harm - [www.P65Warnings.ca.gov](http://www.P65Warnings.ca.gov)

SELECTION SUMMARY  
& APPROVAL FOR  
MANUFACTURING

Model Number & Options \_\_\_\_\_ Quantity \_\_\_\_\_

Company \_\_\_\_\_

Contact \_\_\_\_\_ Title \_\_\_\_\_

Signature (Approval for Manufacturing) \_\_\_\_\_ Date \_\_\_\_\_

All dimensions are nominal and subject to change without notice. Murdock-Super Secur assumes no responsibility for use of void or superseded data. Murdock Mfg.™, Member of Morris Group International™. Please visit [www.murdockmfg.com](http://www.murdockmfg.com) for most current specifications.