



RESTROOM ACCESSORIES

1102

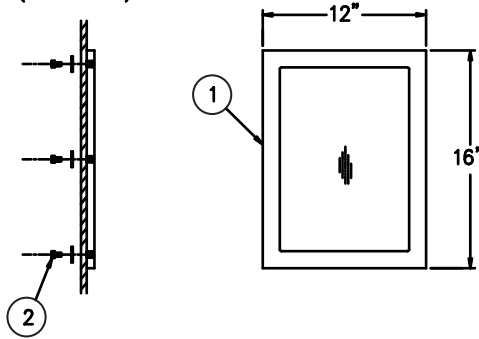
MURDOCK-SUPER SECUR RESTROOM ACCESSORIES

MODEL #
1101 - 1102

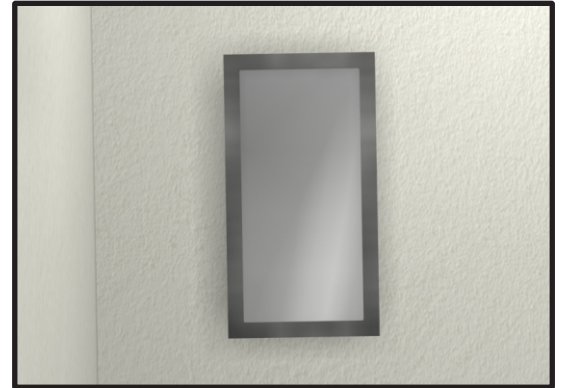
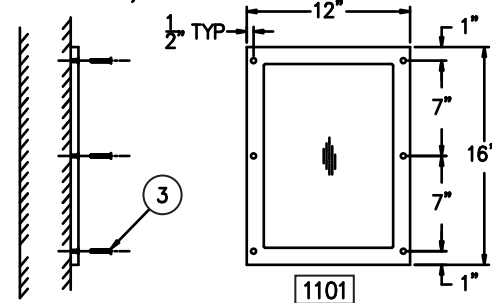
MIRRORS

ITEM	DESCRIPTION	QTY
1	STN STL MIRROR AND FRAME	1
2	MOUNTING HARDWARE FOR REAR MOUNT	1
3	MOUNTING HARDWARE FOR FRONT MOUNT	1

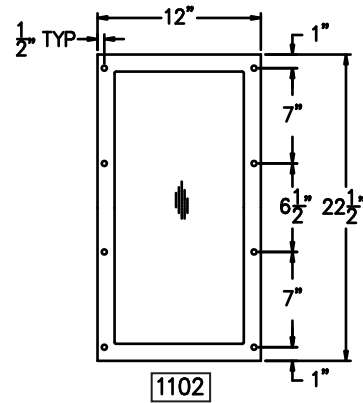
REAR MOUNTED
(1101 SHOWN)



FRONT MOUNTED
(1101-FM SHOWN)



Note: Fixture may show some available options



TECHNICAL DATA:

Mirror is designed to be installed on a finished wall and mounted from an accessible pipe chase. Mirror frame is fabricated from 14 gage, type 304 satin finish stainless steel and is seamless welded construction. Rear of frame is provided with welded anchor nuts.

Mirror surface is type 300 stainless steel polished to a mirror finish and is reinforced with a 1/2" thick fiberboard backing.

Regularly furnished items include mirror with frame and mounting screws and washers.

Optional -FM mirror is front-mounted. Mirror frame has countersunk screw holes and is furnished with 1/4" tamper-resistant mounting screws.

MODEL NUMBER:

- 1101 12" x 16" Stainless Steel Mirror
- 1102 12" x 22-1/2" Stainless Steel Mirror

PRODUCT OPTIONS:

- EG Enviro-Glaze Frame (for color selection see flier)
- FM Front Mounted Frame

WARNING: Cancer and Reproductive Harm - www.P65Warnings.ca.gov

SELECTION SUMMARY & APPROVAL FOR MANUFACTURING

Model Number & Options _____ Quantity _____

Company _____

Contact _____ Title _____

Signature (Approval for Manufacturing) _____ Date _____

All dimensions are nominal and subject to change without notice. Murdock-Super Secur assumes no responsibility for use of void or superseded data. Murdock Mfg.™, Member of Morris Group International™. Please visit www.murdockmfg.com for most current specifications.