



# RESTROOM FIXTURES

1039

## MURDOCK-SUPER SECUR RESTROOM FIXTURE

MODEL #  
1039

WATERLESS URINAL

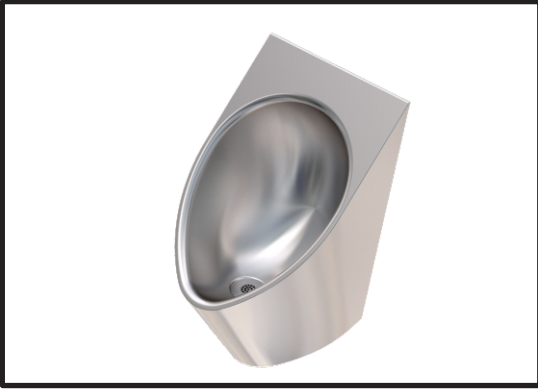
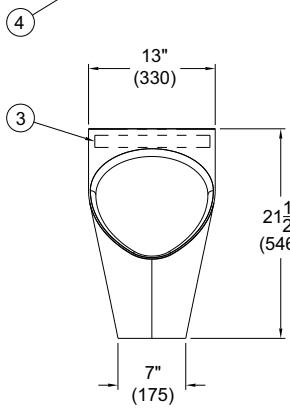
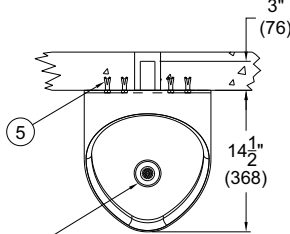
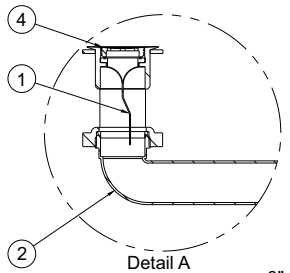
Complies with the following standard:



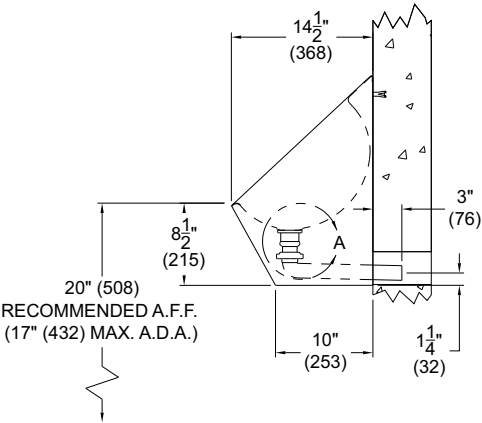
Member of U.S. Green Building Council



Recyclable Product



Note: Fixture may show some available options



**NOTES:**

- 1. Duck Bill Diaphragm.
- 2. 1-1/2" Waste Elbow O.D. Plain End.
- 3. Mounting S-Clip.

- 4. Removable Strainer.
- 5. Wall Mounting Anchors. (By Others)

**TECHNICAL DATA:**

Fixture is engineered to combine attractive appearance and vandal resistance. Urinal features a contoured interior to facilitate cleaning. Fixture is fabricated from 18 gage type 304 stainless steel with a 16 gage bowl and is seamless welded construction. Exterior has a satin finish. Unit has an open bottom for servicing and installation.

Urinal is a waterless type with removable strainer which acts as a retainer for the drain duck bill diaphragm.

Urinal will meet ADA requirements when rim is mounted at 17" maximum above floor.

Regularly furnished items include mounting clip and 1-1/2" OD waste elbow.

**MODEL NUMBER:**

- 1039 Front-Mounted Waterless Urinal

**PRODUCT OPTIONS:**

- EG Enviro-Glaze (for color selection see flier)

**WARNING:** Cancer and Reproductive Harm - [www.P65Warnings.ca.gov](http://www.P65Warnings.ca.gov)

SELECTION SUMMARY & APPROVAL FOR MANUFACTURING

Model Number & Options \_\_\_\_\_ Quantity \_\_\_\_\_

Company \_\_\_\_\_

Contact \_\_\_\_\_ Title \_\_\_\_\_

Signature (Approval for Manufacturing) \_\_\_\_\_ Date \_\_\_\_\_

*All dimensions are nominal and subject to change without notice. Murdock-Super Secur assumes no responsibility for use of void or superseded data. Murdock Mfg.™, Member of Morris Group International™. Please visit [www.murdockmfg.com](http://www.murdockmfg.com) for most current specifications.*