



# RESTROOM FIXTURES

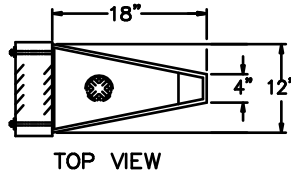
1037

## MURDOCK-SUPER SECUR RESTROOM FIXTURE

MODEL #  
1037 - 1038

REAR MOUNTED STRADDLE URINAL

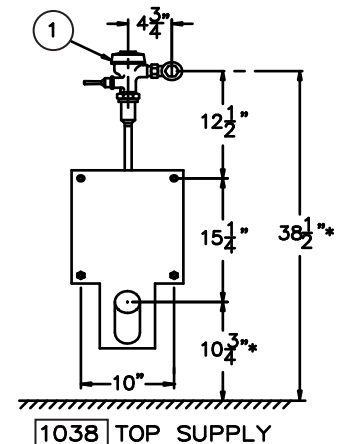
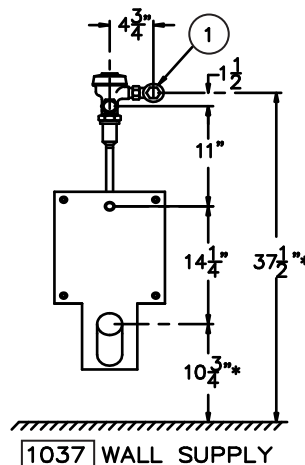
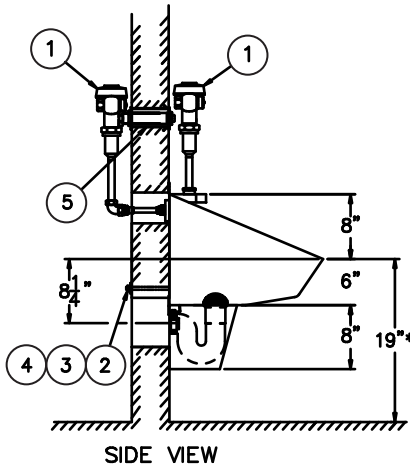
ITEM	DESCRIPTION	QTY
1	OPTIONAL FLUSH VALVE	1
2	1/2" - 13 X 10" LG STUDS & NUTS	4
3	1/2" X 2" O.D. WASHERS	4
4	1-1/4" X 1" EMT MOUNTING SPACERS	4
5	FLUSH VALVE SPACER	1



**\*NOTE:** DEDUCT 2" FROM THIS DIMENSION FOR ADA HEIGHT (RIM AT 17").



Note: Fixture may show some available options



### TECHNICAL DATA:

**Fixture** is designed to be installed on a finished wall and serviced from an accessible pipe chase. Fixture is fabricated from 14 gage, type 304 stainless steel and is seamless welded construction. Exterior has a satin finish. Corners are covered to facilitate cleaning. P-trap is fully enclosed.

**Urinal** is rear wall washdown type and requires a minimum of 35 PSI flow pressure. Bottom is sloped to an integrally welded, high capacity, stainless steel beehive dome strainer. P-trap has a minimum 2" seal. Urinal will operate with a 1.0 gallon flush valve.

**Urinal** will meet ADA requirements when rim is mounted at 17" maximum above floor.

**Regularly furnished items** include mounting hardware for walls up to 8" thick.

### MODEL NUMBER:

- 1037 Rear-Mounted Straddle Urinal, Wall Supply
- 1038 Rear-Mounted Straddle Urinal, Top Supply

### PRODUCT OPTIONS:

- EG Enviro-Glaze (for color selection see flier)
- Wall Supply Flush Valve
- Top Supply Flush Valve

**WARNING:** Cancer and Reproductive Harm - [www.P65Warnings.ca.gov](http://www.P65Warnings.ca.gov)

SELECTION SUMMARY & APPROVAL FOR MANUFACTURING

Model Number & Options \_\_\_\_\_ Quantity \_\_\_\_\_

Company \_\_\_\_\_

Contact \_\_\_\_\_ Title \_\_\_\_\_

Signature (Approval for Manufacturing) \_\_\_\_\_ Date \_\_\_\_\_

*All dimensions are nominal and subject to change without notice. Murdock-Super Secur assumes no responsibility for use of void or superseded data. Murdock Mfg.™, Member of Morris Group International™. Please visit [www.murdockmfg.com](http://www.murdockmfg.com) for most current specifications.*