



RESTROOM FIXTURES

1031W

MURDOCK-SUPER SECUR RESTROOM FIXTURE

MODEL #
1031W

WILDERNESS-CAMPGROUND URINAL

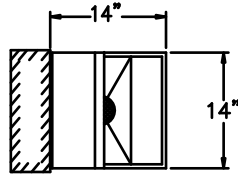
Complies with the following standard:



Member of U.S. Green Building Council

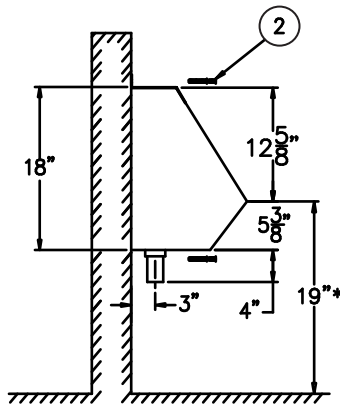
Recyclable Product

ITEM	DESCRIPTION	QTY
1	1-1/2" O.D. X 4" LG TAILPIECE	1
2	1/4"-20 UNC X 2" ALLEN FT HD SCREW	4



TOP VIEW

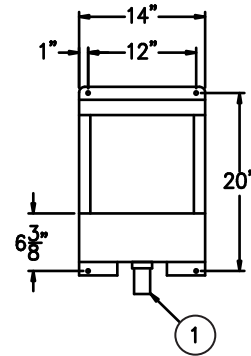
***NOTE:**
DEDUCT 2" FROM THIS DIMENSION FOR ADA HEIGHT (RIM AT 17").



SIDE VIEW



Note: Fixture may show some available options



FRONT VIEW

TECHNICAL DATA:

Wilderness-Campground urinal is designed to be installed on a finished wall and serviced from the front side. Fixture is fabricated from 16 gage, type 304 stainless steel and is seamless welded construction. Exterior has a satin finish. Corners are coved to facilitate cleaning.

Fixture bottom is sloped to a waste outlet with a 1-1/2" OD tailpiece. Piping will connect waste outlet to an underground vault.

Urinal will meet ADA requirements when rim is mounted at 17" maximum above floor.

Regularly furnished items include tamper-resistant mounting screws.

MODEL NUMBER:

1031W Front-Mounted Waterless Urinal

PRODUCT OPTIONS:

-EG Enviro-Glaze (powder coating)

See Color Sample Flier for standard color choices; custom color may be specified.

WARNING: Cancer and Reproductive Harm - www.P65Warnings.ca.gov

SELECTION SUMMARY & APPROVAL FOR MANUFACTURING

Model Number & Options _____ Quantity _____

Company _____

Contact _____ Title _____

Signature (Approval for Manufacturing) _____ Date _____

All dimensions are nominal and subject to change without notice. Murdock-Super Secur assumes no responsibility for use of void or superseded data. Murdock Mfg.™, Member of Morris Group International™. Please visit www.murdockmfg.com for most current specifications.