



RESTROOM FIXTURES

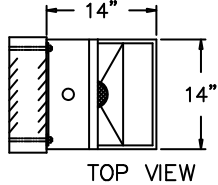
1032

MURDOCK-SUPER SECUR RESTROOM FIXTURE

MODEL #
1031 - 1032

FRONT MOUNTED URINAL

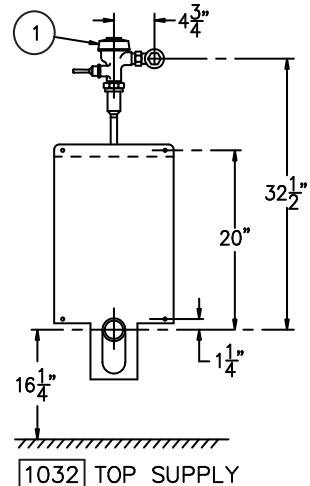
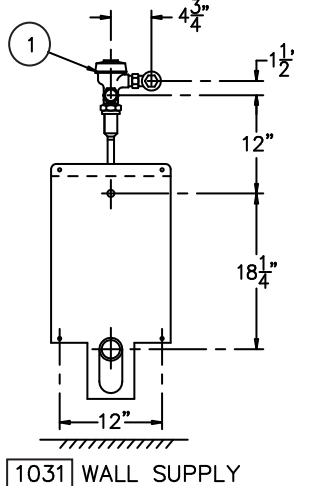
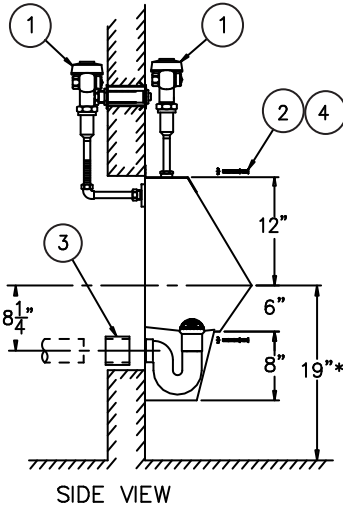
ITEM	DESCRIPTION	QTY
1	OPTIONAL FLUSH VALVE	1
2	1/4-20 UNC X 2" ALLEN FT HD SCREW	4
3	O-RING ADAPTOR 2" NPT	1
4	1/4" COUNTERSUNK WASHERS	4
5	PROTECTOR & TEST CAP	1
6	HEX WRENCH W/CENTER REJECT	1



*NOTE: DEDUCT 2" FROM THIS DIMENSION FOR ADA HEIGHT (RIM AT 17").



Note: Fixture may show some available options



TECHNICAL DATA:

Fixture is designed to be installed on a finished wall and serviced from the front side. Fixture is fabricated from 16 gage, type 304 stainless steel and is seamless welded construction. Exterior has a satin finish. Corners are covered to facilitate cleaning. P-trap is fully enclosed.

Urinal is rear wall washdown type and requires a minimum of 35 PSI flow pressure. Bottom is sloped to a high capacity, stainless steel beehive dome strainer. Strainer is secured with tamper-resistant screws. P-trap has a minimum 2" seal. Urinal will operate with a 1.0 gallon flush valve.

Urinal will meet ADA requirements when rim is mounted at 17" maximum above floor.

Regularly furnished items include tamper-resistant mounting screws and 2" female NPT waste adaptor.

MODEL NUMBER:

- 1031 Front-Mounted Urinal, Wall Supply
- 1032 Front-Mounted Urinal, Top Supply

PRODUCT OPTIONS:

- EG Enviro-Glaze (for color selection see flier)
- Wall Supply Flush Valve
- Top Supply Flush Valve

WARNING: Cancer and Reproductive Harm - www.P65Warnings.ca.gov

SELECTION SUMMARY & APPROVAL FOR MANUFACTURING

Model Number & Options _____ Quantity _____

Company _____

Contact _____ Title _____

Signature (Approval for Manufacturing) _____ Date _____

All dimensions are nominal and subject to change without notice. Murdock-Super Secur assumes no responsibility for use of void or superseded data. Murdock Mfg.™, Member of Morris Group International™. Please visit www.murdockmfg.com for most current specifications.