



RESTROOM FIXTURES

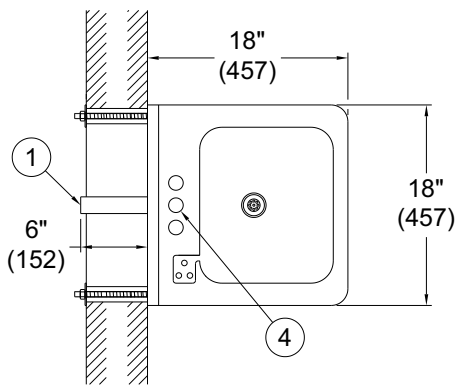
1013B

MURDOCK-SUPER SECUR RESTROOM FIXTURE

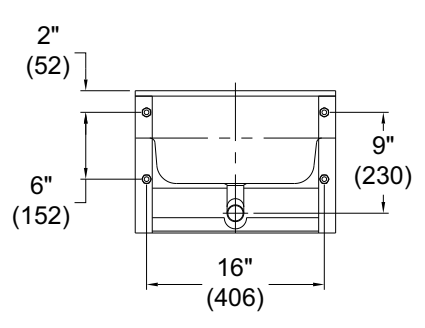
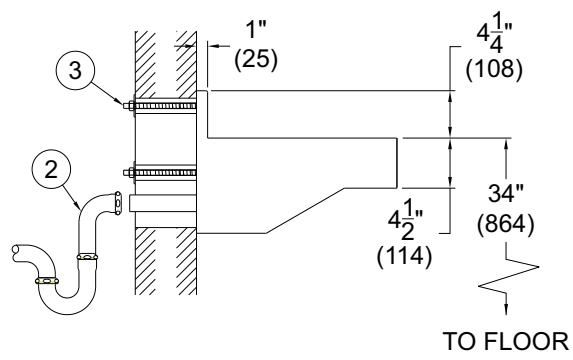
MODEL # 1013B

ADA COMPLIANT LAVATORY WITH DECK-MOUNTED VALVE AND CONCEALED TRAP

Complies with the following standard:



Note: Fixture may show some available options



NOTES:

- 1. Lavy Waste Outlet. Extended 6" Beyond Fixture
- 2. 1-1/2" O.D. P-Trap (Shipped Loose)
- 3. Wall Mounting Hardware
- 4. Punching For Optional Valve

TECHNICAL DATA:

Fixture is designed to be installed on a finished wall and serviced from an accessible pipe chase. Fixture is fabricated from 14 gage, type 304 stainless steel with an enclosed bottom and is seamless welded construction. Exterior has a satin finish.

Rectangular lavatory bowl is 14" x 12" x 4" deep and includes a self-draining soap dish and an integral fast drain. Standard elbow waste outlet is 1-1/2" O.D. plain end and extends 6" beyond the rear of fixture.

Lavatory valve is an optional item.

Lavatory will meet national ADA requirements when installed with rim at 34" above floor.

Regularly furnished items include mounting hardware for walls up to 8" thick, thru wall waste and 1-1/2" tubular P-trap behind the wall.

MODEL NUMBER:

- 1013B-H1 Lavatory Less Valve (Deck with 1 Hole)
- 1013B-H34 Lavatory Less Valve (Deck with 3 Holes, 4" centerset)

PRODUCT OPTIONS:

- CSSA Hot & Cold Valve
- EG Enviro-Glaze (for color selection see flier)
- SO2 Cold Only Sensor Valve
- STS Cold Only Valve
- SW Wall Sleeve
Wall Thickness _____
- TF 24V Transformer for Sensor Operated Valves

See Options on Sheet LAV-OPT

WARNING: Cancer and Reproductive Harm - www.P65Warnings.ca.gov

SELECTION SUMMARY & APPROVAL FOR MANUFACTURING

Model Number & Options _____ Quantity _____

Company _____

Contact _____ Title _____

Signature (Approval for Manufacturing) _____ Date _____

All dimensions are nominal and subject to change without notice. Murdock-Super Secur assumes no responsibility for use of void or superseded data. Murdock Mfg.™, Member of Morris Group International™. Please visit www.murdockmfg.com for most current specifications.