



RESTROOM FIXTURES

1013A

MURDOCK-SUPER SECUR RESTROOM FIXTURE

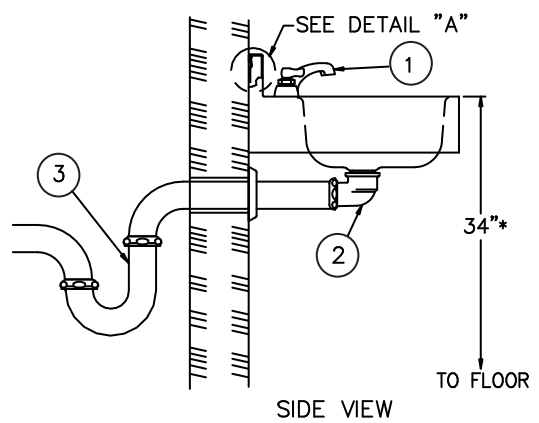
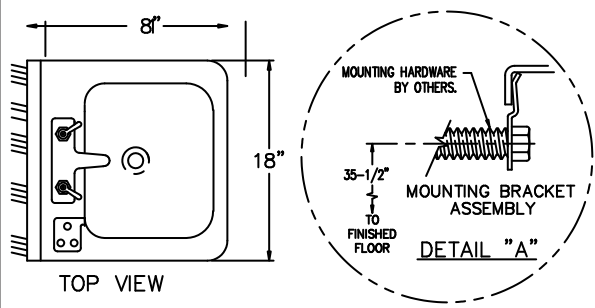
MODEL # 1013A

LAVATORY WITH DECK-MOUNTED VALVE AND CONCEALED TRAP

Complies with the following standard:

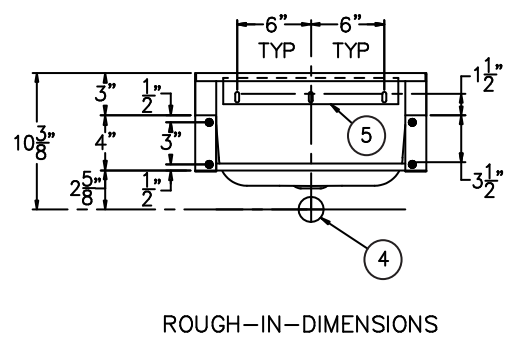


ITEM	DESCRIPTION	QTY
1	OPTIONAL LAVATORY VALVE	1
2	GE GRID STRAINER & CLOSE ELBOW	1
3	1-1/2" OD TUBING P-TRAP BEHIND WALL	1
4	2" HOLE FOR WASTE OUTLET	1
5	MOUNTING BRACKET	1



Note: Fixture may show some available options

*NOTE:
34" RECOMMENDED HEIGHT
ALLOWS 30" BELOW APRON.



TECHNICAL DATA:

Fixture is designed to be installed on a finished wall and serviced from an accessible plumbing chase. Fixture is fabricated from 16 gage, type 304 stainless steel and is seamless welded construction. Exterior has a satin finish.

Rectangular lavatory bowl is 14" x 12" x 6" deep. Lavatory deck has an integral self-draining soap dish.

Lavatory valves conform to lead free requirements of NSF61, Section 9, 1997 and CHSC 116875.

Regularly furnished items include wall mounting bracket, grid strainer with close elbow, thru wall waste and 1-1/4" x 1-1/2" tubular P-trap behind the wall. Insulation may be required (supplied by installer) for drain lines on lavatories with hot and cold valves.

MODEL NUMBER:

- 1013A-9 Lavatory less Valve (3-hole)
- 1013A-H1-9 Lavatory less Valve (1-hole)
- 1013A-CSSA Lavatory with Hot and Cold Valve
- 1013A-SO2 Lavatory with Cold Only Sensor Valve
- 1013A-ST5 Lavatory with Cold Only Valve

PRODUCT OPTIONS:

- EG Enviro-Glaze (for color selection see flier)

See Options on Sheet LAV-OPT

WARNING: Cancer and Reproductive Harm - www.P65Warnings.ca.gov

SELECTION SUMMARY & APPROVAL FOR MANUFACTURING

Model Number & Options _____ Quantity _____

Company _____

Contact _____ Title _____

Signature (Approval for Manufacturing) _____ Date _____

All dimensions are nominal and subject to change without notice. Murdock-Super Secur assumes no responsibility for use of void or superseded data. Murdock Mfg.™, Member of Morris Group International™. Please visit www.murdockmfg.com for most current specifications.