



RESTROOM FIXTURES

1011

MURDOCK-SUPER SECUR RESTROOM FIXTURE

MODEL # 1011

LAVATORY WITH PUSHBUTTON VALVE

Complies with the following standard:

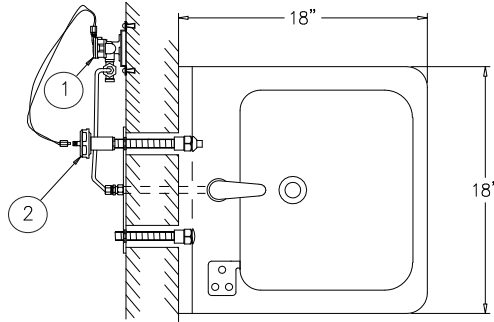


Member of U.S. Green Building Council

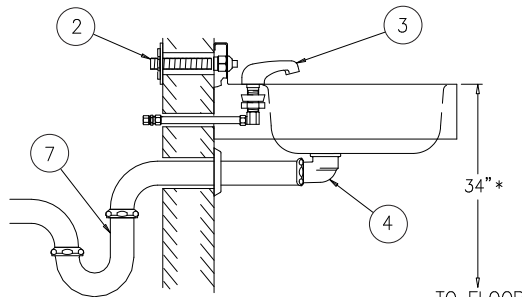


Recyclable Product

ITEM	DESCRIPTION	QTY
1	AIR-CONTROL VALVE	1
2	PUSHBUTTON & ANCHOR ASSEMBLY	2
3	DECK MOUNTED FILLER	1
4	GE GRID STRAINER & CLOSE ELBOW	1
5	2" HOLE FOR WASTE OUTLET	1
6	1/4" HOLD DOWN SCREWS	4
7	1-1/2" OD TUBING P-TRAP BEHIND WALL	1



TOP VIEW



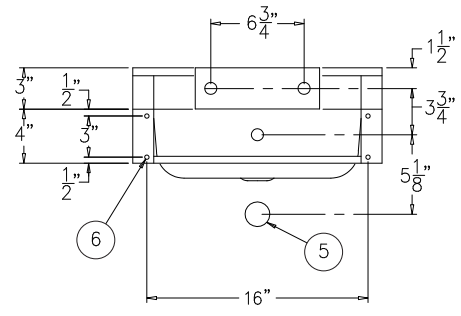
SIDE VIEW



Note: Fixture may show some available options

***NOTE:**

34" RECOMMENDED MOUNTING HEIGHT ALLOWS 30" BELOW APRON.



ROUGH-IN-DIMENSIONS

TECHNICAL DATA:

Fixture is designed to be installed on a finished wall and serviced from an accessible pipe chase. Fixture is fabricated from 16 gage, type 304 stainless steel and is seamless welded construction. Exterior has a satin finish.

Rectangular lavatory bowl is 14" x 12" x 6" deep. Lavatory deck has an integral self-draining soap dish.

Lavatory valve is an Air-Control, pneumatically operated pushbutton valve using atmospheric air and includes a 0.5 GPM flow control. Valve is metering, non-hold open type with spout and conforms to lead free requirements of NSF61, Section 9, 1997 and CHSC 116875. Valve can be remotely located up to 10 feet from operating pushbutton. Pushbutton is vandal resistant and requires less than 5 lbs. pressure to actuate valve. Timing is adjustable from 5 to 60 seconds.

Regularly furnished items include valve and pushbutton assembly for walls up to 8" thick, hold down screws, deck mounted spout, grid strainer with close elbow, thru wall waste and 1-1/4" x 1-1/2" tubular P-trap behind the wall. Insulation may be required (supplied by installer) for drain lines on lavatories with hot and cold valves.

MODEL NUMBER:

- 1011-1 Lavatory with Cold Only Valve
- 1011-2 Lavatory with Hot and Cold Valve

PRODUCT OPTIONS:

- EG Enviro-Glaze (for color selection see flier)

See Options on Sheet **LAV-OPT**

WARNING: Cancer and Reproductive Harm - www.P65Warnings.ca.gov

SELECTION SUMMARY & APPROVAL FOR MANUFACTURING

Model Number & Options _____ Quantity _____

Company _____

Contact _____ Title _____

Signature (Approval for Manufacturing) _____ Date _____

All dimensions are nominal and subject to change without notice. Murdock-Super Secur assumes no responsibility for use of void or superseded data. Murdock Mfg.™, Member of Morris Group International™. Please visit www.murdockmfg.com for most current specifications.