



RESTROOM FIXTURES

1008

MURDOCK-SUPER SECUR RESTROOM FIXTURE

MODEL # 1008

WATERLESS TOILET RISER

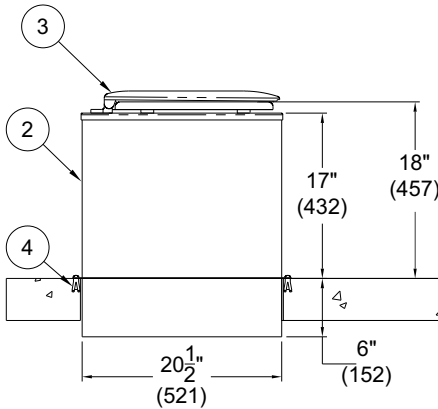
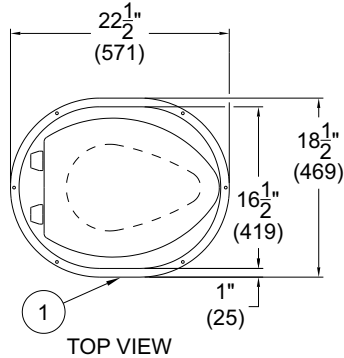
Complies with the following standard:



Member of U.S. Green Building Council



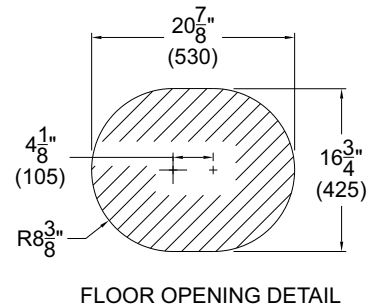
Recyclable Product



- NOTES:
1. Floor Flange with Anchor Holes.
 2. Toilet Housing.
 3. Hinged Seat with Cover.
 4. Floor Anchors, Provided By Others.



Note: Fixture may show some available options



TECHNICAL DATA:

Waterless toilet riser is fabricated from 18 gage, type 304 stainless steel with a 14 gage stainless steel top with integral contoured seat. The vandal-resistant welded construction has a smooth inside without crevices to assist in sanitation. The exterior has a satin finish.

Riser conforms to the height requirements of ADA. Thru floor extension and floor flange with mounting holes match dimensions of existing risers. Fixture meets or exceeds structural requirements for CSA B45.4-08.

Regularly furnished items include an open-front hinged plastic toilet seat with cover, which may be replaced in the field.

MODEL NUMBER:

- 1008 Waterless Riser with Hinged Seat and Cover

PRODUCT OPTIONS:

- EG Enviro-Glaze (for color selection see flier)

WARNING: Cancer and Reproductive Harm - www.P65Warnings.ca.gov

SELECTION SUMMARY & APPROVAL FOR MANUFACTURING

Model Number & Options _____ Quantity _____

Company _____

Contact _____ Title _____

Signature (Approval for Manufacturing) _____ Date _____

All dimensions are nominal and subject to change without notice. Murdock-Super Secur assumes no responsibility for use of void or superseded data. Murdock Mfg.™, Member of Morris Group International™. Please visit www.murdockmfg.com for most current specifications.