



RESTROOM FIXTURES

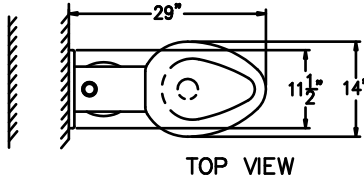
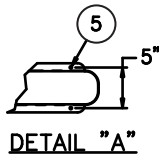
1005

MURDOCK-SUPER SECUR RESTROOM FIXTURE

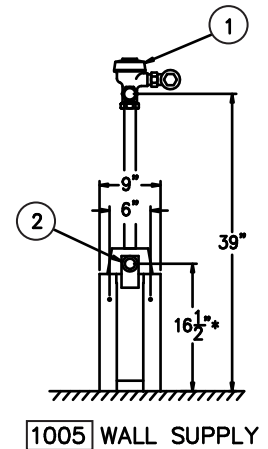
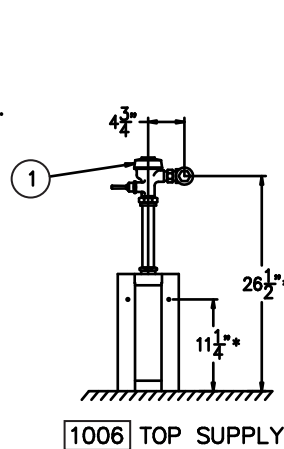
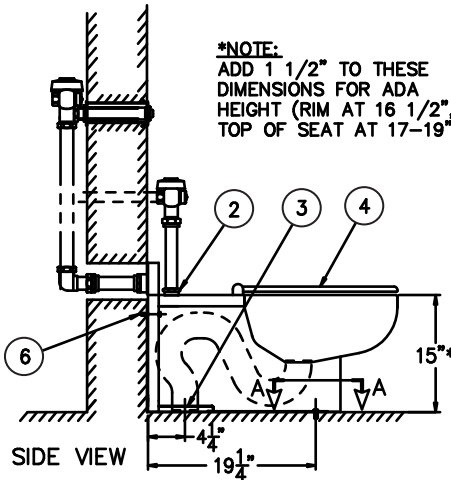
MODEL #
1005/1006

FRONT-MOUNTED TOILET, ON-FLOOR, FLOOR OUTLET

ITEM	DESCRIPTION	QTY
1	OPTIONAL FLUSH VALVE	1
2	1 1/2" NPT FLUSHING CONNECTION	1
3	7 1/2" DIA. GASKET WASTE	1
4	HINGED TOILET SEAT	1
5	1/4" STN STL BOLTS	4
6	5/16" FASTENERS (BY OTHERS)	2



Note: Fixture may show some available options



TECHNICAL DATA:

Fixture is designed to be installed on a finished wall and serviced from the front side. Fixture is fabricated from 16 gage, type 304 stainless steel and is seamless welded construction. Wall flange is structurally reinforced. Exterior has a satin finish, except for the integral contoured toilet seat, which has a sanitary high polish finish.

Toilet has an elongated bowl and requires a minimum of 35 PSI flow pressure. Trap has a minimum 3-1/2" seal and will pass a 2-1/8" ball. Toilet waste outlet is a gasketed waste. Toilet will operate with a 1.6 gallon flush valve.

Regularly furnished items include anchor bolts and an open-front hinged plastic toilet seat.

MODEL NUMBER:

- 1005 Front-Mounted Toilet, Wall Supply
- 1006 Front-Mounted Toilet, Top Supply

PRODUCT OPTIONS:

- EG Enviro-Glaze (for color selection see flier)
- HCT ADA Height (rim at 16-1/2")
- Wall Supply Flush Valve
- Top Supply Flush Valve

WARNING: Cancer and Reproductive Harm - www.P65Warnings.ca.gov

SELECTION SUMMARY & APPROVAL FOR MANUFACTURING

Model Number & Options _____ Quantity _____

Company _____

Contact _____ Title _____

Signature (Approval for Manufacturing) _____ Date _____

All dimensions are nominal and subject to change without notice. Murdock-Super Secur assumes no responsibility for use of void or superseded data. Murdock Mfg.™, Member of Morris Group International™. Please visit www.murdockmfg.com for most current specifications.