



# RESTROOM FIXTURES

1002F

**MURDOCK-  
SUPER  
SECUR  
RESTROOM  
FIXTURE**

**MODEL #  
1001F/1002F**

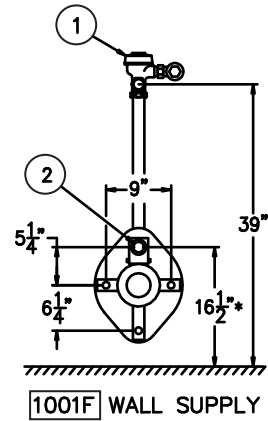
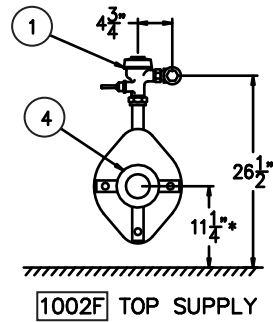
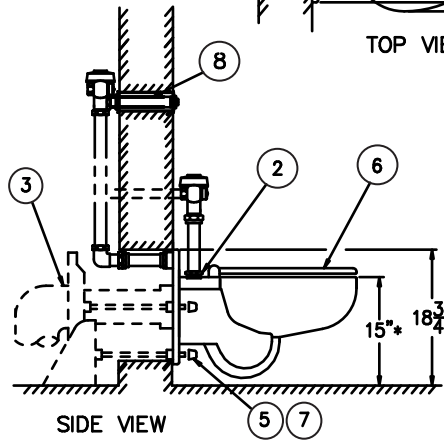
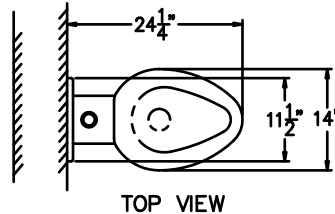
**FRONT-  
MOUNTED  
TOILET,  
OFF-FLOOR**

ITEM	DESCRIPTION	QTY
1	OPTIONAL FLUSH VALVE	1
2	1 1/2" NPT FLUSHING CONNECTION	1
3	WASTE FITTINGS (BY OTHERS)	1
4	5-1/2" DIA. GASKET FLANGE	1
5	TAMPER RESISTANT CAP NUTS	3
6	HINGED TOILET SEAT	1
7	MOUNTING HARDWARE	1
8	FLUSH VALVE SPACER	1
9	SECURITY NUT WRENCH	1



Note: Fixture may show some available options

**\*NOTE:**  
ADD 1 1/2" TO THESE  
DIMENSIONS FOR ADA  
HEIGHT (RIM AT 16 1/2",  
TOP OF SEAT AT 17-19").



**TECHNICAL DATA:**

Fixture is designed to be installed on a finished wall and serviced from the front side. Fixture is fabricated from 16 gage, type 304 stainless steel and is seamless welded construction. Wall flange is structurally reinforced. Exterior has a satin finish, except for the integral contoured toilet seat, which has a sanitary high polish finish.

Toilet has an elongated bowl and requires a minimum of 35 PSI flow pressure. Trap has a minimum 3-1/2" seal and will pass a 2-1/8" ball. Toilet waste outlet is a gasketed waste. Toilet will operate with a 1.6 gallon flush valve.

Toilet will meet ADA requirements when top of plastic toilet seat is mounted at 17" to 19" above floor.

Regularly furnished items include mounting hardware for walls up to 8" thick, vandal-resistant cap nuts, a 4" no-hub waste adaptor and an open-front hinged plastic toilet seat.

**MODEL NUMBER:**

- 1001F Front-Mounted Toilet, Wall Supply
- 1002F Front-Mounted Toilet, Top Supply

**PRODUCT OPTIONS:**

- EG Enviro-Glaze (for color selection see flier)
- Wall Supply Flush Valve
- Top Supply Flush Valve

**⚠ WARNING: Cancer and Reproductive Harm - www.P65Warnings.ca.gov**

**SELECTION SUMMARY  
& APPROVAL FOR  
MANUFACTURING**

Model Number & Options \_\_\_\_\_ Quantity \_\_\_\_\_

Company \_\_\_\_\_

Contact \_\_\_\_\_ Title \_\_\_\_\_

Signature \_\_\_\_\_ Date \_\_\_\_\_  
(Approval for Manufacturing)

All dimensions are nominal and subject to change without notice. Murdock-Super Secur assumes no responsibility for use of void or superseded data. Murdock Mfg.™, Member of Morris Group International™. Please visit [www.murdockmfg.com](http://www.murdockmfg.com) for most current specifications.