



RESTROOM FIXTURES

1000

**MURDOCK-
SUPER
SECUR
RESTROOM
FIXTURE**

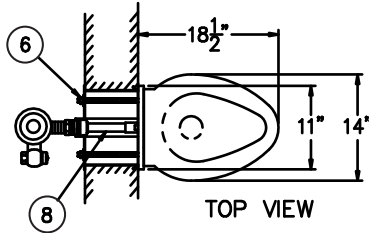
**MODEL #
1000**

**COMPACT
REAR-
MOUNTED
TOILET,
OFF-FLOOR**

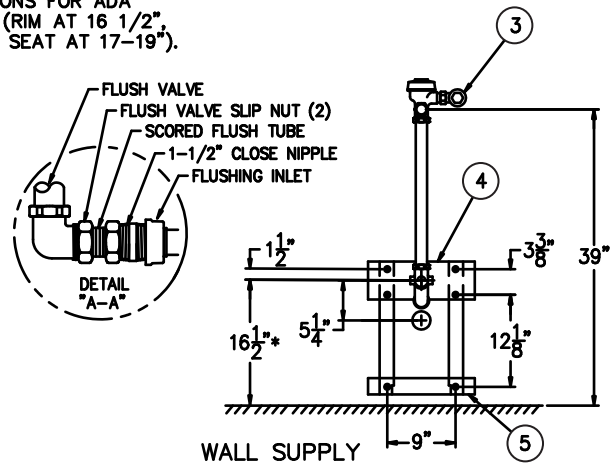
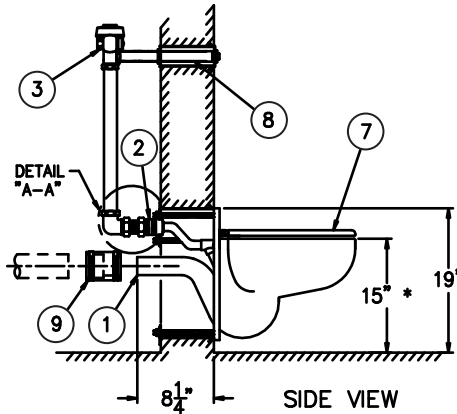
| ITEM | DESCRIPTION | QTY |
|------|----------------------------------|-----|
| 1 | 2 3/8" DIAMETER PLAIN END OUTLET | 1 |
| 2 | 1 1/2" NPT FLUSHING CONNECTION | 1 |
| 3 | OPTIONAL FLUSH VALVE | 1 |
| 4 | UPPER MOUNTING PLATE | 1 |
| 5 | LOWER MOUNTING PLATE | 1 |
| 6 | 1/2" STUDS WITH WASHERS & NUTS | 6 |
| 7 | HINGED SEAT W/STN STL HINGE | 1 |
| 8 | FLUSH VALVE SPACER | 1 |
| 9 | 4" X 2" WASTE CONNECTION | 1 |



Note: Fixture may show some available options



***NOTE:**
ADD 1 1/2" TO THESE
DIMENSIONS FOR ADA
HEIGHT (RIM AT 16 1/2",
TOP OF SEAT AT 17-19").



TECHNICAL DATA:

Fixture is designed to be installed on a finished wall and serviced from an accessible pipe chase. Fixture is fabricated from 14 gage, type 304 stainless steel and is seamless welded construction. Wall flange is structurally reinforced. Exterior has a satin finish, except for the integral contoured toilet seat, which has a sanitary high polish finish.

Toilet has an elongated bowl and requires a minimum of 35 PSI flow pressure. Trap has a minimum 3-1/2" seal and will pass a 2-1/8" ball. Toilet waste outlet is 2-3/8" diameter plain end. Toilet will operate with a 1.6 gallon flush valve.

Toilet will meet ADA requirements when top of plastic toilet seat is mounted at 17" to 19" above floor. However, toilet seat will not remain raised if a grab bar is mounted behind toilet.

Regularly furnished items include mounting hardware for walls up to 8" thick, a stainless steel band coupling for 4" pipe and an open-front hinged plastic toilet seat.

MODEL NUMBER:

- 1000 Compact Rear-Mounted Toilet, Wall Supply

PRODUCT OPTIONS:

- EG Enviro-Glaze (for color selection see flier)
- Wall Supply Flush Valve
- Top Supply Flush Valve

WARNING: Cancer and Reproductive Harm - www.P65Warnings.ca.gov

**SELECTION SUMMARY
& APPROVAL FOR
MANUFACTURING**

Model Number & Options _____ Quantity _____

Company _____

Contact _____ Title _____

Signature _____ (Approval for Manufacturing)

Date _____

All dimensions are nominal and subject to change without notice. Murdock-Super Secur assumes no responsibility for use of void or superseded data. Murdock Mfg.™, Member of Morris Group International™. Please visit www.murdockmfg.com for most current specifications.