



# CONTEMPORARY DRINKING FOUNTAINS

## GR Series

**MODEL GRF35**  
PEDESTAL MOUNTED  
DRINKING FOUNTAIN

### STANDARD FEATURES

- Resistant to sunlight, heat, moisture and wear
- 18 gage, 304 stainless steel bowl
- 12 gage, heavy duty stainless steel, corrosion and scratch resistant finish
- Polished stainless steel, anti-rotation non-squirt bubbler
- 100 mesh inlet strainer
- Access door, heavy duty stainless steel, vandal resistant

### SUGGESTED SPECIFICATIONS

Model GRF35 is a pedestal mounted, vandal resistant round drinking fountain made from an 18 gage, 304 stainless steel bowl mounted into a green powder coated 12 gage, heavy duty stainless steel pedestal. Unit shall be activated by a front mounted self-closing button, by using less than 5 pounds of force, which activates an internally mounted valve with an adjustable stream regulator controlling the water flow. Bubbler shall be polished stainless steel with a non-squirt feature and operate on water pressure range of 20-105 psig. Unit shall adhere to NSF/ANSI 61, Section 9, Public Law 111-380 (NO-LEAD), and CHSC 116875.

#### Options Notes:

<sup>1</sup> See separate option sheet.

<sup>2</sup> This option is not available freeze-resistant.



**Model GRF35-PF Shown**

### MODEL:

*(Must Specify)*

- GRF34 Satin stainless finish
- GRF35 Green powder-coated (Shown)
- GRF36 Red powder-coated
- GRF37 Blue powder-coated

*Custom color finishes available upon request*

### OPTIONS

*(additional costs may be incurred)*

- CH30 Child height, 30" bubbler height
- FRU1 Freeze resistant, 1 valve <sup>1</sup>
- FRU2 Freeze resistant, 2 valves <sup>1</sup>
- FRU3 Freeze resistant, 3 valves <sup>1</sup>
- FS Foot spray
- HB1 Hose bibb, compression, with hose threaded outlet/VB <sup>1 2</sup>
- HB2 Hose bibb, loose key, with hose threaded outlet/VB <sup>1 2</sup>
- HB3 Hose bibb, loose key, vandal resistant, with hose threaded outlet/VB <sup>1 2</sup>
- IGM In-ground 14" mounting
- JF1 Jug filler, spigot, self-closing valve with plain end <sup>1 2</sup>
- JF2 Jug filler, pushbutton, self-closing valve with plain end <sup>1</sup>
- NP1 Non-pollutable, freeze resistant, 1 valve
- NP2 Non-pollutable, freeze resistant, 2 valves
- NP3 Non-pollutable, freeze resistant, 3 valves
- PF Pet fountain receptor <sup>1</sup>

Complies with the following standards:



Federal Public Law 111-380 (No Lead)



Member of U.S. Green Building Council



Recyclable Product



Water Conserving Product

**WARNING:** Cancer and Reproductive Harm - [www.P65Warnings.ca.gov](http://www.P65Warnings.ca.gov)

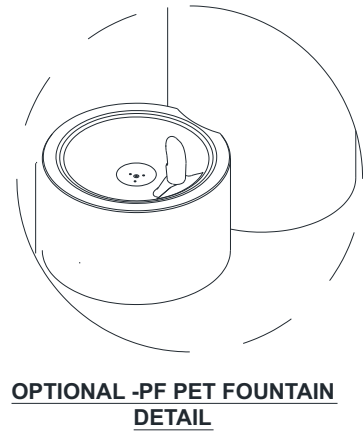
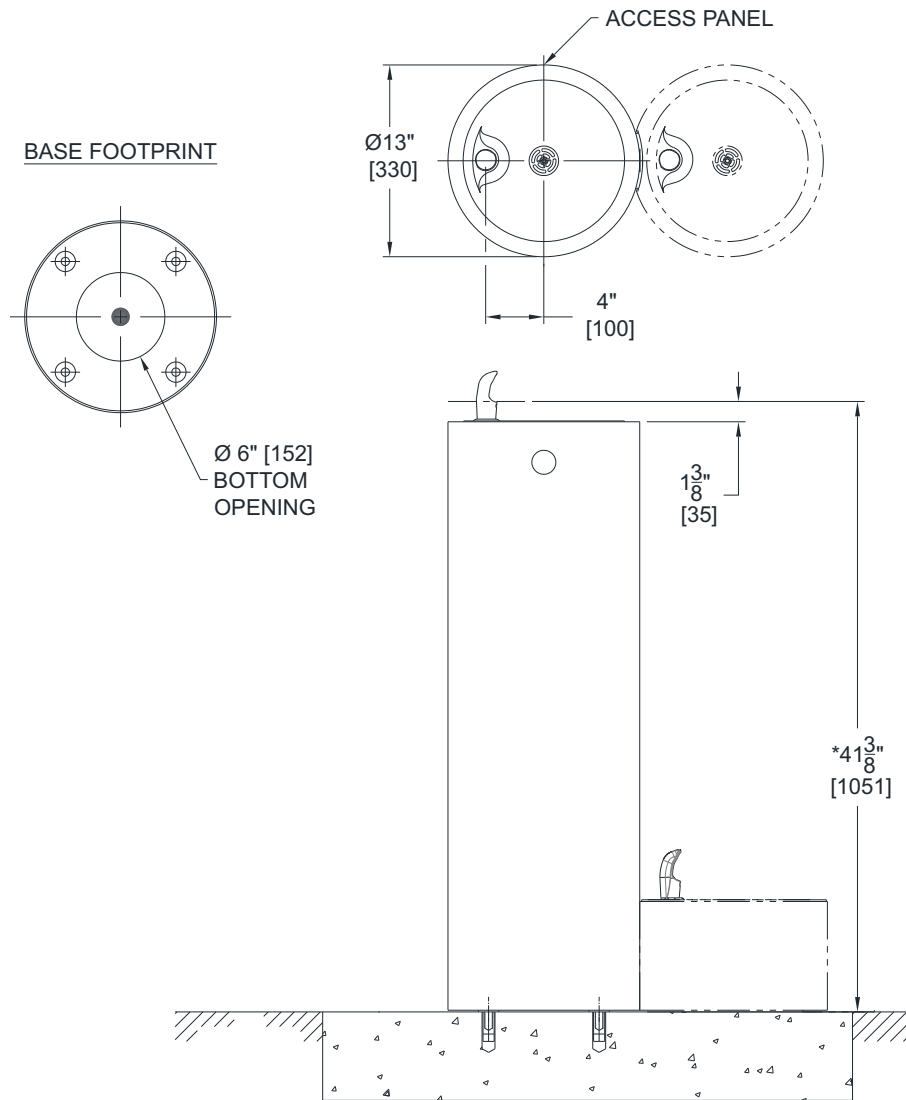
**MURDOCK MFG.** • 15125 Proctor Avenue • City of Industry, CA 91746 USA  
Phone 800-453-7465 or 626-333-2543 • Fax 626-855-4860 • [www.murdockmfg.com](http://www.murdockmfg.com)

Member of **MORRIS GROUP INTERNATIONAL**



# CONTEMPORARY DRINKING FOUNTAINS

## GR Series MODEL GRF35 PEDESTAL MOUNTED DRINKING FOUNTAIN



**GENERAL NOTES:**

1. ALL DIMENSIONS ARE IN INCHES [MM].
- \*2. STANDARD ADULT HEIGHT MODEL SHOWN. OPTIONAL -CH30 CHILD HEIGHT MODEL AVAILABLE.
3. STOP VALVE NOT PROVIDED.

Murdock Mfg.™ warrants that its products are free from defects in material or workmanship under normal use and service for a period of one year from date of shipment. Murdock's liability under this warranty shall be discharged solely by replacement or repair of defective material, provided Murdock™ is notified in writing within one year from date of shipment, F.O.B. Industry, California.

<b>SELECTION SUMMARY &amp; APPROVAL FOR MANUFACTURING</b>	Model Number & Options _____	Quantity _____	All dimensions are subject to manufactures tolerance of plus or minus 1/2" nominal and subject to change without notice. Murdock assumes no responsibility for use of void or superseded data. Dimensions may change with the addition of optional accessories. Murdock Mfg.™, Member of Morris Group International™. Please visit <a href="http://www.murdockmfg.com">www.murdockmfg.com</a> for most current specifications.
	Company _____		
	Contact _____	Title _____	
	Signature (Approval for Manufacturing) _____	Date _____	

**MURDOCK MFG.** • 15125 Proctor Avenue • City of Industry, CA 91746 USA  
Phone 800-453-7465 or 626-333-2543 • Fax 626-855-4860 • [www.murdockmfg.com](http://www.murdockmfg.com)

