



DRINKING FOUNTAIN

A421 Series

MODEL A421400S

WALL MOUNTED
DRINKING FOUNTAIN

STANDARD FEATURES

- 18 gage, 304 stainless steel
- Polished stainless steel, anti-rotation, non-squirt bubbler
- 100 mesh inlet strainer
- Vandal resistant screws
- Mounting plate with hardware



SUGGESTED SPECIFICATIONS

Model A421400S is a wall mounted drinking fountain made from 18 gage, 304 stainless steel with a brushed finish. Unit shall be activated by a self-closing, frontal push pad, by using less than 5 pounds of force, which activates an internally mounted valve with an adjustable stream regulator controlling the water flow. Bubbler shall be polished stainless steel with a non-squirt feature and operate on a water pressure range of 20-105 psig. Unit shall have a uniquely designed, two-piece contoured bowl with P-trap integral to the unit. Unit is certified to ANSI A117.1, NSF/ANSI 61, Section 9 and Public Law 111-380.

MODEL:

(Must Specify)

FLEXIBLE BUBBLER (0.3 GPM)

- A421200F Bronze finish
- A421300F Gold finish (High Polish)
- A421400F Satin stainless finish

LEAD-FREE STAINLESS STEEL BUBBLER

- A421200S Bronze finish
- A421300S Gold finish (High Polish)
- A421400S Satin stainless finish (Shown)

OPTIONS

(additional costs may be incurred)

- AD1 Access door
- AP1 Access panel for a single fountain
- BP1 Back panel for single contoured fountain
- CSC Concealed support carrier
- FRA1 Freeze resistant valve
- HP High polished stainless steel
- MF1 Mounting frame for a single fountain

Complies with the following standards:



Member of
U.S. Green
Building
Council



Recyclable
Product



Water
Conserving
Product

WARNING: Cancer and Reproductive Harm - www.P65Warnings.ca.gov

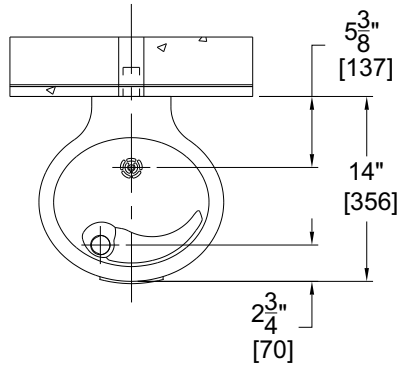
MURDOCK MFG. • 15125 Proctor Avenue • City of Industry, CA 91746 USA
Phone 800-453-7465 or 626-333-2543 • Fax 626-855-4860 • www.murdockmfg.com

Member of
MORRIS GROUP
INTERNATIONAL

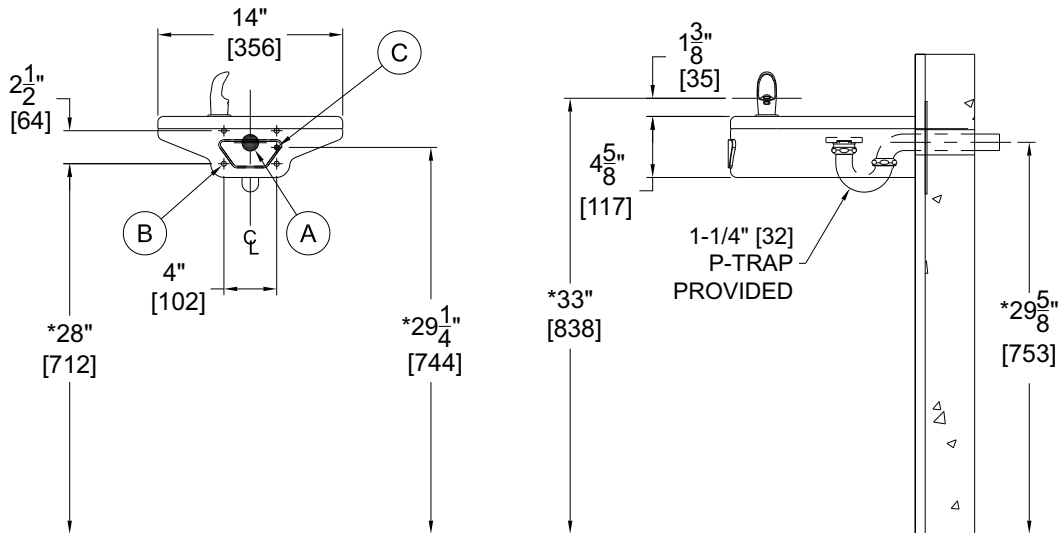


DRINKING FOUNTAIN

A421 Series MODEL A421400S WALL MOUNTED DRINKING FOUNTAIN



- A. WASTE OUTLET FOR 1-1/4" P-TRAP BY OTHERS
- B. Ø3/8" PUNCHING, 4 PLACES FOR ANCHORING HARDWARE BY OTHERS
- C. 3/8" NCT SUPPLY INLET



GENERAL NOTES:

1. ALL DIMENSION ARE IN INCHES [MM]
- *2. DIMENSION SHOWN ARE FOR RECOMMENDED ADULT HEIGHT
ADJUST VERTICAL DIMENSIONS AS NECESSARY TO COMPLY
WITH FEDERAL, STATE, & LOCAL CODES
3. STOP VALVE NOT PROVIDED

Murdock Mfg.™ warrants that its products are free from defects in material or workmanship under normal use and service for a period of one year from date of shipment. Murdock's liability under this warranty shall be discharged solely by replacement or repair of defective material, provided Murdock™ is notified in writing within one year from date of shipment, F.O.B. Industry, California.

SELECTION SUMMARY & APPROVAL FOR MANUFACTURING	Model Number & Options _____	Quantity _____	All dimensions are subject to manufactures tolerance of plus or minus 1/2" nominal and subject to change without notice. Murdock assumes no responsibility for use of void or superseded data. Dimensions may change with the addition of optional accessories. Murdock Mfg.™, Member of Morris Group International™. Please visit www.murdockmfg.com for most current specifications.
	Company _____		
	Contact _____	Title _____	
	Signature (Approval for Manufacturing) _____	Date _____	

MURDOCK MFG. • 15125 Proctor Avenue • City of Industry, CA 91746 USA
Phone 800-453-7465 or 626-333-2543 • Fax 626-855-4860 • www.murdockmfg.com

Member of
MORRIS GROUP INTERNATIONAL