



# DRINKING FOUNTAIN

## A171 Series

### MODEL A171100F

BARRIER FREE, WALL MOUNTED  
DRINKING FOUNTAIN

#### STANDARD FEATURES

- Child or Adult ADA Compliant (when properly installed)
- Granite Powder Coated Apron and One-Piece Bottom Wrapper
- Flexible, Low Flow, Anti-Microbial Anti-Rotation, Non-Squirt Bubbler
- 100-Mesh Inlet Strainer
- Vandal Resistant Screws
- Hanging Bracket provided
- Auto-Stop allows Cartridge and Strainer service without shutting off Water Supply Stop

#### SUGGESTED SPECIFICATIONS

Model A171100F is a self-contained, Vandal Resistant Drinking Fountain. Unit shall be activated from a front Pushbutton using less than 5 pounds of force. Bubbler shall deliver a 0.3 GPM flow, have a Flexible Guard with an integrally designed non-squirt feature and operate on a water pressure range of 20-105 PSIG. Basin shall be constructed from 304 Stainless Steel and have an Integral Drain. Cabinet shall be either Galvanized Steel with Granite Powder Coat or Stainless Steel. Unit is certified to ANSI A117.1, Public Law 111-380 (NO-LEAD), CHSC 116875 and NSF/ANSI 61, Section 9. Fixture meets ADA, ADA Standing Person, and ADA Child requirements when mounted appropriately.



Model A171100F Shown  
PATENT# 10,100,933



**"RATED FOR INDOOR AND OUTDOOR USE"**

#### MODEL:

(Must Specify)

#### FLEXIBLE BUBBLER

- A171100F Granite Finish (Shown)
- A171400F Satin Stainless Finish

#### LEAD-FREE STAINLESS STEEL BUBBLER

- A171100S Granite Finish
- A171400S Satin Stainless Finish

#### OPTIONS

(additional costs may be incurred)

- BP8 Back Panel, Stainless Steel
- CSC2 Concealed Support Carrier
- GF1 Glass Filler with Lever Handle
- WB1 Wall Bezel, Stainless Steel
- WF1 1500-gallon capacity, NSF 42+53, 1 micron Lead Reduction Filter

Complies with the following standards:



Federal Public Law 111-380 (No Lead)



Member of U.S. Green Building Council



Recyclable Product



Water Conserving Product

**WARNING:** Cancer and Reproductive Harm - [www.P65Warnings.ca.gov](http://www.P65Warnings.ca.gov)

MURDOCK MFG. • 15125 Proctor Avenue • City of Industry, CA 91746 USA  
Phone 800-453-7465 or 626-333-2543 • Fax 626-855-4860 • [www.murdockmfg.com](http://www.murdockmfg.com)

Member of MORRIS GROUP INTERNATIONAL

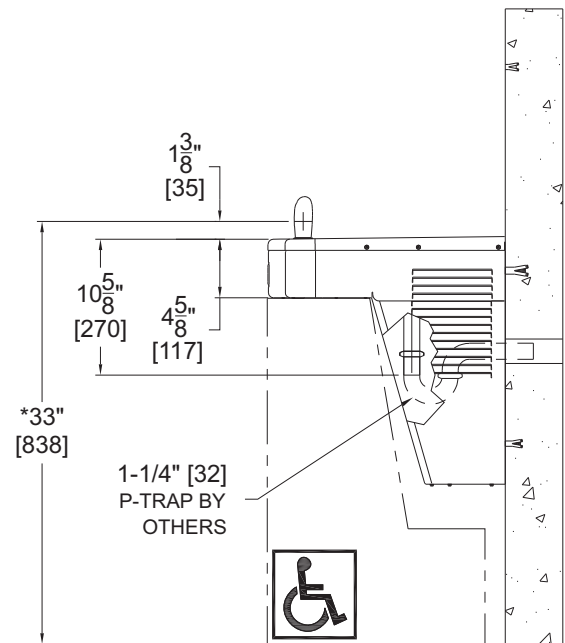
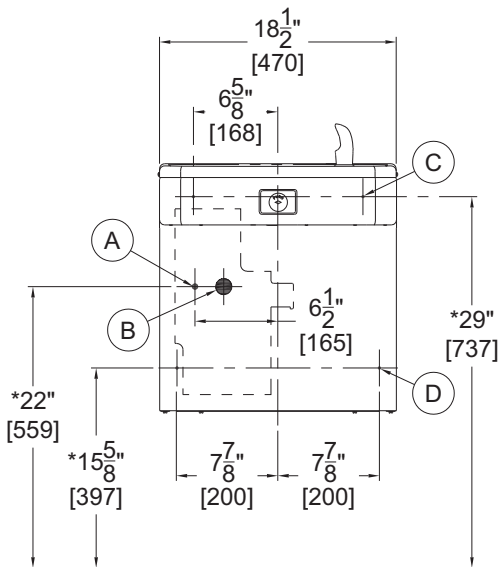
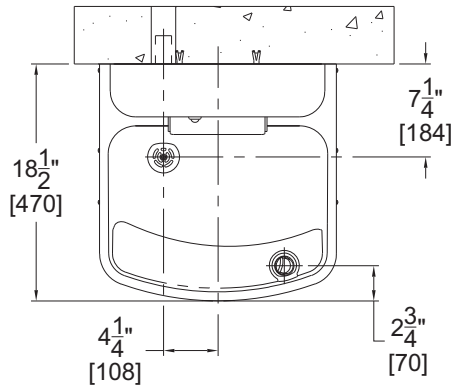


# DRINKING FOUNTAIN

## A171 Series

### MODEL A171100F

BARRIER FREE, WALL MOUNTED  
DRINKING FOUNTAIN



**General Notes:**

1. All dimensions are in inches [MM]
2. Allow 4 inches [102 MM] minimum clearance per side for ventilation
- \*3. Dimensions shown are for ADA adult height. Adjust vertical dimensions as necessary to comply with Federal, State, & Local Codes
4. Stop Valve and P-Trap provided by installer
5. Important: Unit must be attached to wall with appropriate Anchor Screws

- A. 3/8" NCT Supply Inlet
- B. Waste Outlet for 1-1/4" P-Trap by others
- C. Ø3/8" Hanger Bracket punching, 3 places for Anchoring Hardware by others
- D. Ø1/4" Punching, 2 places for Anchoring Hardware by others

*Murdock Mfg.™ warrants that its products are free from defects in material or workmanship under normal use and service for a period of one year from date of shipment. Murdock's liability under this warranty shall be discharged solely by replacement or repair of defective material, provided Murdock™ is notified in writing within one year from date of shipment, F.O.B. Industry, California.*

<b>SELECTION SUMMARY &amp; APPROVAL FOR MANUFACTURING</b>	Model Number & Options _____	Quantity _____	<p><small>All dimensions are subject to manufactures tolerance of plus or minus 1/2" nominal and subject to change without notice. Murdock assumes no responsibility for use of void or superseded data. Dimensions may change with the addition of optional accessories. Murdock Mfg.™, Member of Morris Group International™. Please visit <a href="http://www.murdockmfg.com">www.murdockmfg.com</a> for most current specifications.</small></p>
	Company _____		
	Contact _____	Title _____	
	Signature (Approval for Manufacturing) _____	Date _____	