



WATER COOLERS

A171.8 Series

MODEL A171108F

BARRIER FREE, WALL MOUNTED WATER COOLER

STANDARD FEATURES

- Child or Adult ADA Compliant (when properly installed)
- Granite Powder Coated Apron and One-Piece Bottom Wrapper
- Flexible, Low Flow, Anti-Microbial, Anti-Rotation, Non-Squirt Bubbler
- 100-Mesh Inlet Strainer
- Vandal Resistant Screws
- Hanging Bracket provided
- Auto-stop allows Cartridge and Strainer service without shutting off water supply

SUGGESTED SPECIFICATIONS

Model A171108F is a self-contained, pressurized Water Cooler that delivers a minimum of **8.0 GPH** (30.3 LPH) of water at 50°F (10°C) cooled from 80°F (26.7°C) inlet water and 90°F (32.2°C) ambient. Unit shall be activated from an Anti-Microbial front Pushbutton using less than 5 pounds of force. Bubbler shall deliver a 0.3 GPM flow, have an Anti-Microbial Flexible Guard with an integrally designed non-squirt feature and operate on a water pressure range of 20-105 PSIG. Basin shall be constructed from 304 Stainless Steel and have an Integral Drain. Cabinet shall be either Galvanized Steel with Granite Powder Coat or Stainless Steel. Cooling system shall use R-134a refrigerant and be Capillary Tube regulated. An Adjustable Thermostat with an off position shall regulate the refrigeration system. Unit shall be listed by Underwriters Laboratories for both the US and Canada and is compliant to the Air Conditioning and Refrigeration Institute Standard 1010. Unit is certified to ANSI A117.1, Public Law 111-380 (NO-LEAD), CHSC 116875 and NSF/ANSI 61, Section 9. Fixture meets ADA, ADA Standing Person, and ADA Child requirements when mounted appropriately.



Model A171108F Shown
PATENT# 10,100,933

Maintenance Advantage®
Water Cooler by Murdock Manufacturing

“RATED FOR INDOOR AND OUTDOOR USE”

MODEL:

(Must Specify)

FLEXIBLE BUBBLER

- A171108F Granite Finish (Shown)
- A171408F Satin Stainless Finish

LEAD-FREE STAINLESS STEEL BUBBLER

- A171108S Granite Finish
- A171408S Satin Stainless Finish

OPTIONS

(additional costs may be incurred)

- BP8 Back Panel, Stainless Steel
- CSC2 Concealed Support Carrier
- GF1 Glass Filler with Lever Handle
- WB1 Wall Bezel, Stainless Steel
- WF1 1500-gallon capacity, NSF 42+53, 1 micron Lead Reduction Filter
- 220V 220 volt / 50 Hz compressor

Model Number	GPH*	Rated Watts	Full Load Amps	Approx. Shipping Weight
A171108F	8.0	335	4.4	82 lbs.

* GPH of 50°F water at 90°F ambient room temperature and 80°F inlet water temperature
Compressor motor operates on 115 Volt / 60 Hz single phase.

Complies with the following standards:

Test rating conditions are compliant with ARI 1010.

Member of U.S. Green Building Council Recyclable Product Water Conserving Product

WARNING: Cancer and Reproductive Harm - www.P65Warnings.ca.gov

MURDOCK MFG. • 15125 Proctor Avenue • City of Industry, CA 91746 USA
Phone 800-453-7465 or 626-333-2543 • Fax 626-855-4860 • www.murdockmfg.com

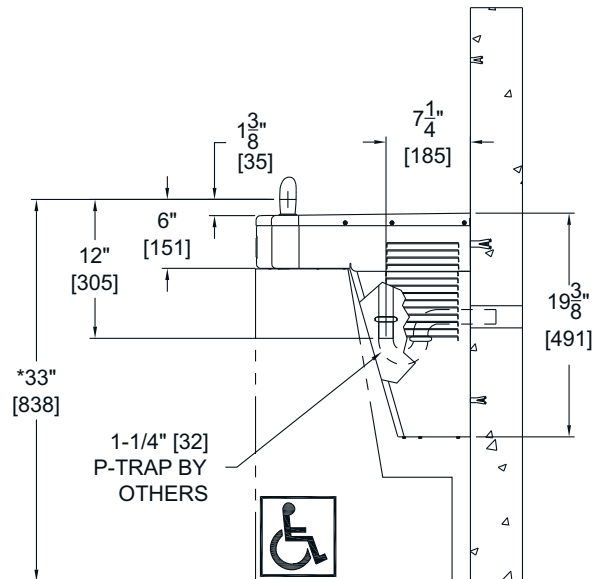
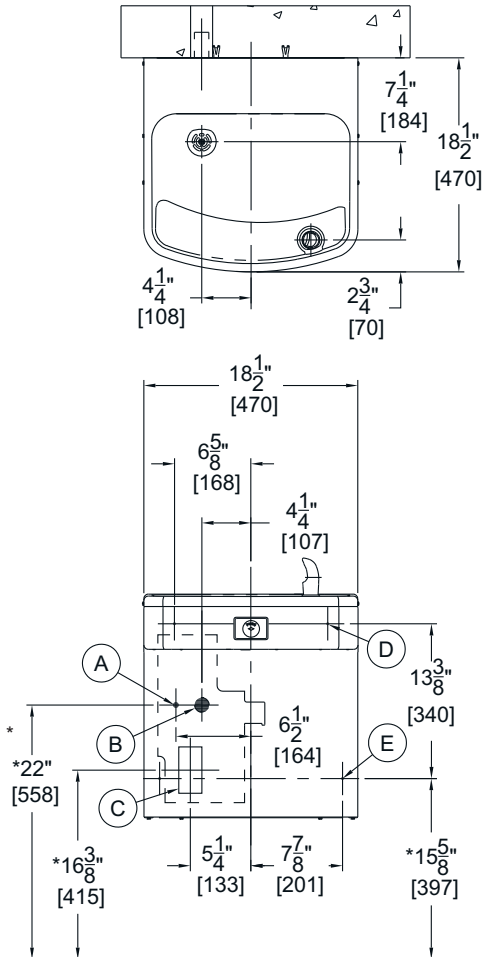
Member of MORRIS GROUP INTERNATIONAL



WATER COOLERS

A171.8 Series MODEL A171108F

BARRIER FREE, WALL MOUNTED
WATER COOLER



SIDE VIEW

1. ALL DIMENSIONS ARE IN INCHES [MM]
2. ALLOW 4 INCHES [102 MM] MINIMUM CLEARANCE PER SIDE FOR VENTILATION
- *3. DIMENSIONS SHOWN ARE FOR ADA ADULT HEIGHT. ADJUST VERTICAL DIMENSIONS AS NECESSARY TO COMPLY WITH FEDERAL, STATE, & LOCAL CODES.
4. STOP VALVE, P-TRAP, & ELECTRICAL OUTLET NOT SUPPLIED.
5. IMPORTANT: COOLERS MUST BE ATTACHED TO WALL WITH APPROPRIATE ANCHOR SCREWS.

Murdock Mfg.™ warrants that its products are free from defects in material or workmanship under normal use and service for a period of one year from date of shipment. Murdock's liability under this warranty shall be discharged solely by replacement or repair of defective material, provided Murdock™ is notified in writing within one year from date of shipment, F.O.B. Industry, California.

SELECTION SUMMARY & APPROVAL FOR MANUFACTURING	Model Number & Options _____	Quantity _____	All dimensions are subject to manufactures tolerance of plus or minus 1/2" nominal and subject to change without notice. Murdock assumes no responsibility for use of void or superseded data. Dimensions may change with the addition of optional accessories. Murdock Mfg.™, Member of Morris Group International™. Please visit www.murdockmfg.com for most current specifications.
	Company _____		
	Contact _____	Title _____	
	Signature (Approval for Manufacturing) _____	Date _____	

MURDOCK MFG. • 15125 Proctor Avenue • City of Industry, CA 91746 USA
 Phone 800-453-7465 or 626-333-2543 • Fax 626-855-4860 • www.murdockmfg.com

Member of
 MORRIS GROUP
 INTERNATIONAL